



Ultima LCD

Line Interactive UPS

Instruction manual

Important: This manual contains important safety instructions.
Keep this manual handy for reference.

- Before using this product please read all instructions carefully.
- Keep these instructions for future reference.
- All specifications are subject to change without prior notice.

IMPORTANT SAFETY WARNING (SAVE THESE INSTRUCTIONS)

CAUTION! To prevent the risk of fire or electric shock, install in a temperature and humidity controlled indoor area free of conductive contaminants. (See the specifications for the acceptable temperature and humidity range.)

CAUTION! To reduce the risk of overheating the UPS, do not cover the UPS' cooling vents and avoid exposing the unit to direct sunlight or installing the unit near heat emitting appliances such as space heaters or furnaces.

CAUTION! Do not attach non-computer-related items, such as medical equipment, life-support equipment, microwave ovens, or vacuum cleaners to UPS.

CAUTION! Do not plug the UPS input into its own output.

CAUTION! Do not allow liquids or any foreign object to enter the UPS. Do not place beverages or any other liquid-containing vessels on or near the unit.

CAUTION! In the event of an emergency, press the OFF button and disconnect the power cord from the AC power supply to properly disable the UPS.

CAUTION! Do not attach a power strip or surge suppressor to the UPS.

CAUTION! With the installation of this equipment, it should be prevented that the sum of the leakage current of the UPS to the connected consumer exceeds 3.5mA.

ATTENTION ! Hazardous through electric shock. Also with disconnection of this unit from the mains, hazardous voltage still may be accessible through supply from battery. The battery supply should be therefore disconnected in the plus and minus pole at the quick connectors of the battery when maintenance or service work inside the UPS is necessary.

CAUTION! Servicing of batteries should be performed or supervised by personnel knowledgeable of batteries and the required precautions. Keep unauthorised personnel away from batteries.

CAUTION! When replacing the batteries, use the same number and type of batteries.

CAUTION! Internal battery voltage is 12VDC. Sealed, lead-acid, 6-cell battery.

CAUTION! Do not dispose of batteries in a fire. The battery may explode. Do not open or mutilate the battery or batteries. Released electrolyte is harmful to the skin and eyes.

CAUTION! Unplug the UPS prior to cleaning and do not use liquid or spray detergent.

CAUTION! A battery can present a risk of electric shock and high short circuit current. The following precaution should be observed before replacing batteries:

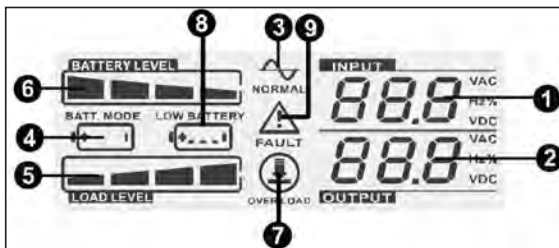
- 1) Remove watches, rings, or other metal objects.
- 2) Use tools with insulated handles.
- 3) Wear rubber gloves and boots.
- 4) Do not lay tools or metal parts on top of batteries.
- 5) Disconnect charging source prior to connecting or disconnecting batteries terminal.

1. PACKAGE CONTENTS

You should have received the following items inside of package:

- UPS Unit
- Quick Guide
- USB Cable
- CD Rom

2. LCD PANEL



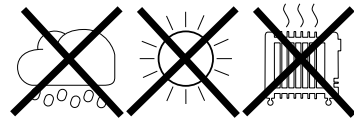
1. Input information
2. Output information
3. AC mode indicator
4. Battery mode indicator
5. Load level indicator
6. Battery capacity indicator
7. Overload indicator
8. Low battery indicator
9. Fault indicator

3. INSTALLATION AND INITIAL STARTUP

NOTE: Before installation, please inspect the unit. Ensure nothing inside the package is damaged.

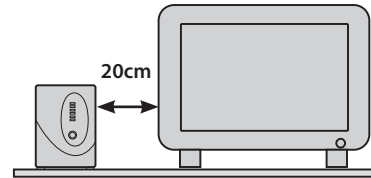
Placement & Storage Conditions

Install the UPS in a protected area that is free of excessive dust and has adequate air flow. Place the UPS away from other units at least 20 cm to avoid interference. Do NOT operate the UPS where the temperature and humidity is outside the specific limits. (Please check the specs for the limitations.)



Connect to Utility and Charging

Plug in the AC input cord to the wall outlet. For best results, charge the battery for at least 6 hours before initial use. The unit charges its battery while connected to the utility.

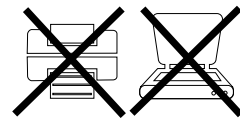


Connect the Loads

Plug in the loads to output receptacles on the rear panel of the UPS. Simply turn on the power switch of UPS unit, then devices connected to the UPS will be protected by UPS unit.



CAUTION: NEVER connect a laser printer or scanner to the UPS unit. This may cause damage to the unit.



Connect Modem/Phone for Surge Protection (Only for the model with RJ-11/45)

Connect a single modem/phone line into surge-protected "IN" outlet on the back panel of the UPS unit. Connect from "OUT" outlet to the computer with phone line cable.

Connect Communication Cable (Only for the model with USB port)

To allow for unattended UPS shutdown/start-up and status monitoring, connect the communication cable one end to the USB port and the other to the communication port of your PC. With the monitoring software installed, you can schedule UPS shutdown/start-up and monitor UPS status through your PC.

Turn On/Off the Unit

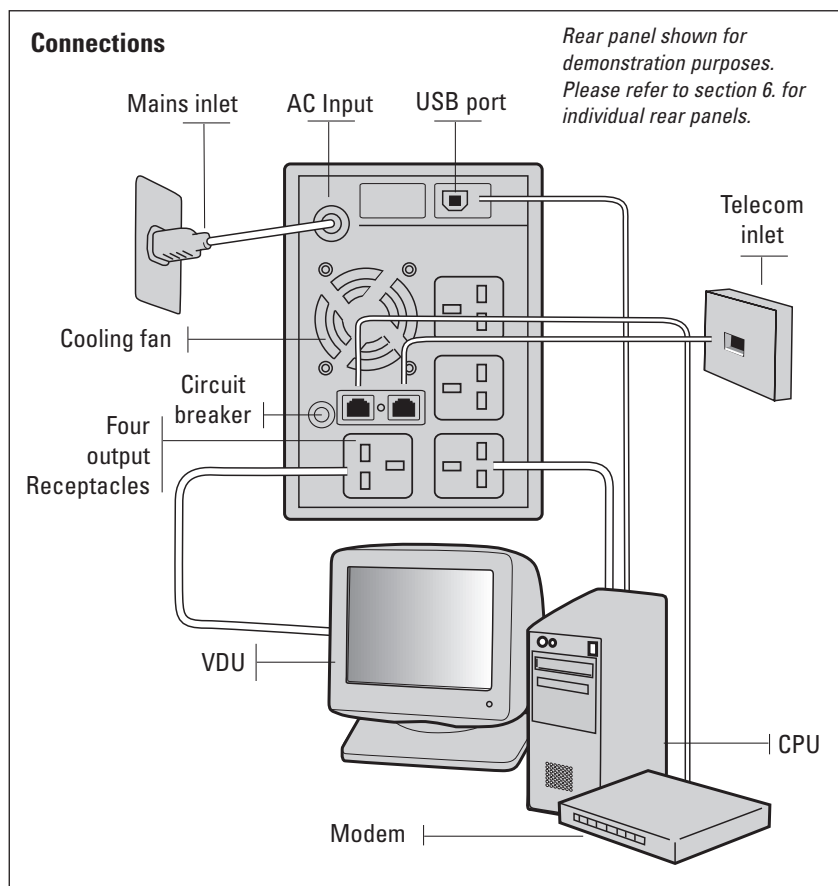
Turn on the UPS unit by pressing the power switch. Turn off the UPS unit by pressing the power switch again.

4. SOFTWARE DOWNLOAD & INSTALLATION

(Only for the model with communication port)

Please either: use CD provided or: follow steps below to download and install monitoring software:

1. Go to the website <http://www.power-software-download.com> for the latest version to download.
2. Click ViewPower software icon and then choose your required OS to download the software.
3. Follow the on-screen instructions to install the software.
4. When your computer restarts, the monitoring software will appear as an orange plug icon located in the system tray, near the clock.



5. SPECIFICATION PANEL

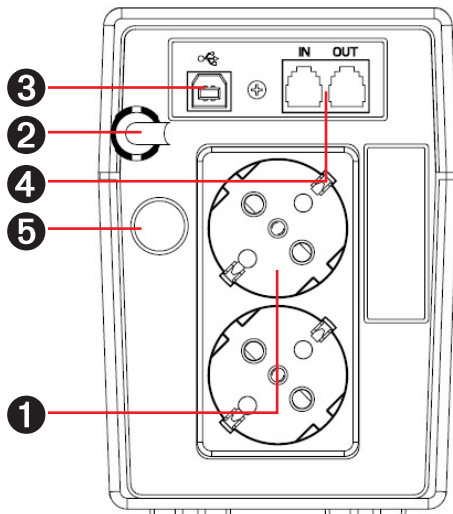
MODEL	Ultima LCD 650	
Plug type	UK	EU
Capacity (VA/W)	650VA/360W	
Input Voltage	220/230/240VAC	
Voltage range	162-290VAC	
Input Frequency	50 or 60 Hz	
Output Voltage	220/230/240VAC	
Voltage regulation	+/-10%	
Output Frequency	50Hz or 60Hz	
Frequency regulation	+/-1 Hz	
Output waveform	Modified Sine Wave	
Battery type	12 V/7 AH x 1	
Recharge time	4-6 hours recovery to 90% capacity	
Backup time @ 120W	10min	
Transfer Time	Typical 2-6 ms, 10 ms max.	
Audible Alarm	sounds every 10 seconds	
Low battery	Sounds every second	
Overload	sounds every 0.5 second	
Battery replacement	sounds every 2 seconds	
Fault	continuously sounds	
Full protection	Overload, discharge, and overcharge protection	
Dimension DxWxH (mm)	287 x 100 x 142	
Weight (Kg)	4.25	
Operating environment	0-90% RH @ 0-40° C (non-condensing)	
Noise level	Less than 40 dB	
Fuse type	Built in power cord	Breaker
Fuse rating	13A	7A
Interfaces	USB Type B x1 output	USB Type B x1 output
	RJ11 x1 input, x1 Output	RJ11 x1 input, x1 Output
	UK socket x 2 Output	EU socket x 2 Output
	UK plug x1 AC input	EU plug x1 AC input
	IEC socket x 1	

MODEL	Ultima LCD 1500	
Plug type	UK	EU
Capacity (VA/W)	1500VA/900W	
Input Voltage	220/230/240VAC	
Voltage range	162-290VAC	
Input Frequency	53 or 60 Hz Auto sensing	
Output Voltage	220/230/240VAC	
Voltage regulation	+/-10%	
Output Frequency	50Hz or 60Hz	
Frequency regulation	+/-1 Hz	
Output waveform	Modified Sine Wave	
Battery type	12V/9Ahx2	
Recharge time	4-6 hours recovery to 90% capacity	
Backup time @ 120W	40min	
Transfer Time	Typical 2-6 ms, 10 ms max.	
Audible Alarm	sounds every 10 seconds	
Low battery	Sounds every second	
Overload	sounds every 0.5 second	
Battery replacement	sounds every 2 seconds	
Fault	continuously sounds	
Full protection	Overload, discharge, and overcharge protection	
Dimension DxWxH (mm)	397 x 146 x 205	
Weight (Kg)	11.1	
Operating environment	0-90% RH @ 0-40° C (non-condensing)	
Noise level	Less than 40 dB	
Fuse type	Built in power cord/Breaker	Built in IEC inlet
Fuse rating	13A/10A	10A
Interfaces	USB Type B x1 output	USB Type B x1 output
	RJ45 x1 input, x1 Output	RJ45 x1 input, x1 Output
	UK socket x 4 Output	EU socket x 4 Output
	UK plug x1 AC input	EU plug x1 AC input

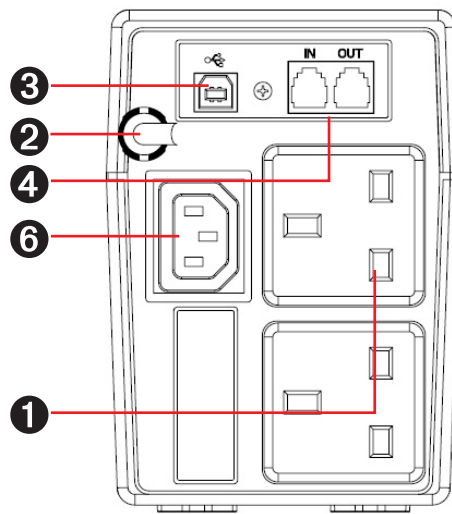
Ultima LCD 850		Ultima LCD 1000	
UK	EU	UK	EU
850VA/480W		1000VA/600W	
220/230/240VAC		220/230/240VAC	
162-290VAC		162-290VAC	
51 or 60 Hz		52 or 60 Hz Auto sensing	
220/230/240VAC		220/230/240VAC	
+/-10%		+/-10%	
50Hz or 60Hz		50Hz or 60Hz	
+/-1 Hz		+/-1 Hz	
Modified Sine Wave		Modified Sine Wave	
12V/9Ahx1		12V/7Ahx2	
4-6 hours recovery to 90% capacity		4-6 hours recovery to 90% capacity	
15min		30min	
Typical 2-6 ms, 10 ms max.		Typical 2-6 ms, 10 ms max.	
sounds every 10 seconds		sounds every 10 seconds	
Sounds every second		Sounds every second	
sounds every 0.5 second		sounds every 0.5 second	
sounds every 2 seconds		sounds every 2 seconds	
continuously sounds		continuously sounds	
Overload, discharge, and overcharge protection		Overload, discharge, and overcharge protection	
287 x 100 x 142		350 x 146 x 160	
4.9		8	
0-90% RH @ 0-40° C (non-condensing)		0-90% RH @ 0-40° C (non-condensing)	
Less than 40 dB		Less than 40 dB	
Built in power cord	Breaker	Built in power cord/Breaker	Breaker
13A	7A	13A/10A	10A
USB Type B x1 output	USB Type B x1 output	USB Type B x1 output	USB Type B x1 output
RJ11 x1 input, x1 Output	RJ11 x1 input, x1 Output	RJ45 x1 input, x1 Output	RJ45 x1 input, x1 Output
UK socket x 2 Output	EU socket x 2 Output	UK socket x 4 Output	EU socket x 4 Output
UK plug x1 AC input	EU plug x1 AC input	UK plug x1 AC input	EU plug x1 AC input
IEC socket x 1			

Ultima LCD 2000	
UK	EU
2000VA/1200W	
220/230/240VAC	
162-290VAC	
54 or 60 Hz Auto sensing	
220/230/240VAC	
+/-10%	
50Hz or 60Hz	
+/-1 Hz	
Modified Sine Wave	
12V/9Ahx2	
4-6 hours recovery to 90% capacity	
42min	
Typical 2-6 ms, 10 ms max.	
sounds every 10 seconds	
Sounds every second	
sounds every 0.5 second	
sounds every 2 seconds	
continuously sounds	
Overload, discharge, and overcharge protection	
397 x 146 x 205	
11.5	
0-90% RH @ 0-40° C (non-condensing)	
Less than 40 dB	
Built in power cord/Breaker	Built in IEC inlet
13A/15A	15A
USB Type B x1 output	USB Type B x1 output
RJ45 x1 input, x1 Output	RJ45 x1 input, x1 Output
UK socket x 4 Output	EU socket x 4 Output
UK plug x1 AC input	EU plug x1 AC input

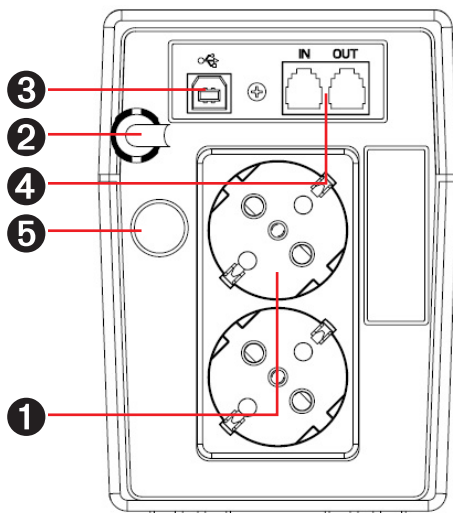
6. REAR PANELS



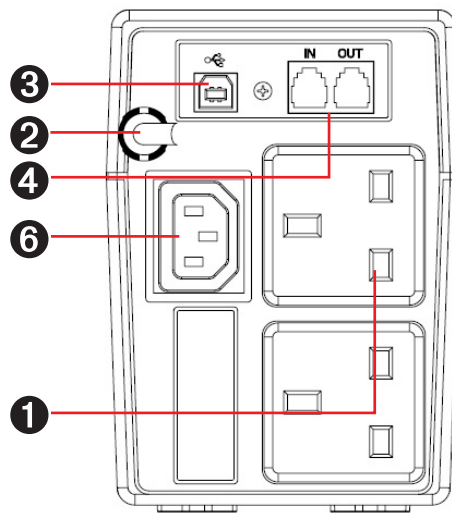
REAR PANEL 650 EU



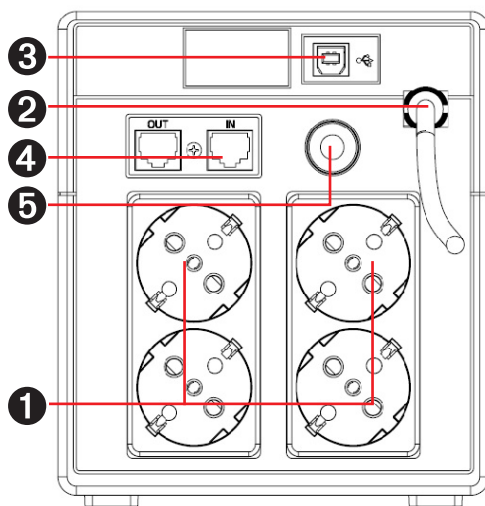
REAR PANEL 650 UK



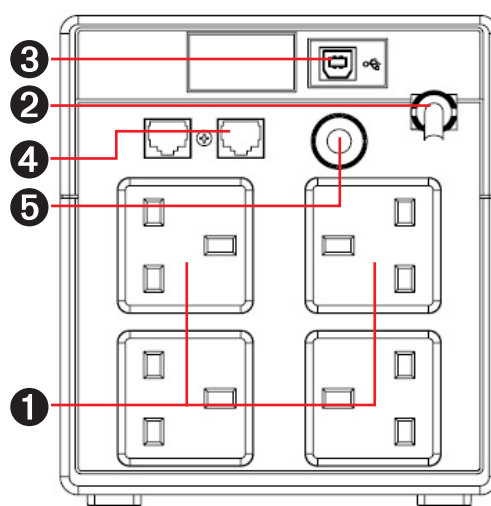
REAR PANEL 850 EU



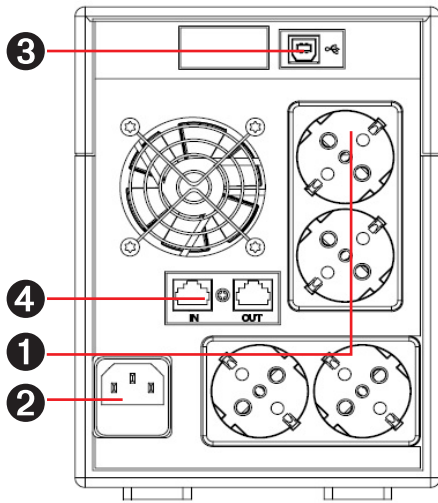
REAR PANEL 850 UK



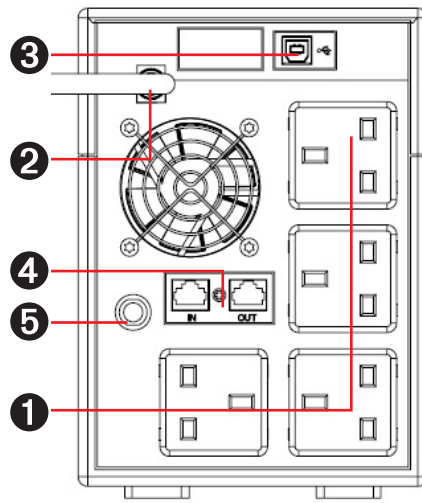
REAR PANEL 1000EU



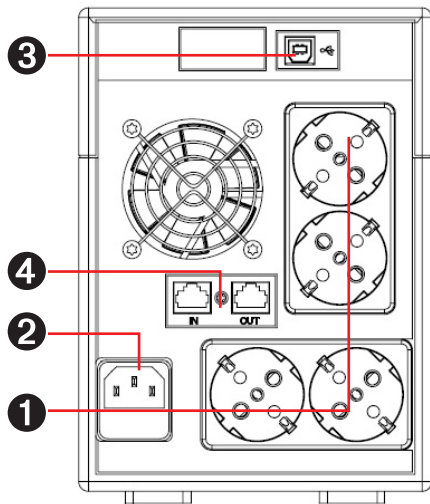
REAR PANEL 1000UK



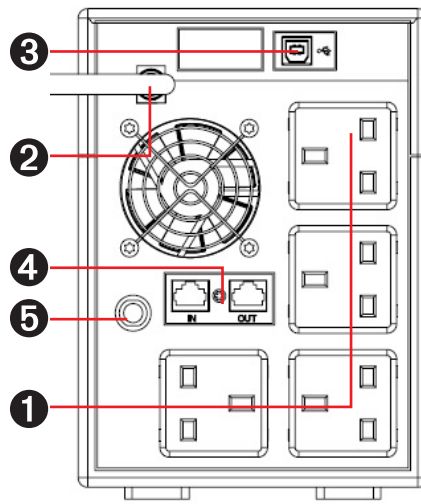
REAR PANEL 1500EU



REAR PANEL 1500UK



REAR PANEL 2000EU



REAR PANEL 2000UK

KEY:

- 1. Output receptacles
- 2. AC input
- 3. USB port
- 4. Modem/Phone/
Network surge
protection
- 5. Circuit breaker
- 6. IEC socket

7. TROUBLESHOOTING

Use the table below to solve minor problems.

Problem	Possible cause	Solutions
Nothing displays on the front panel.	Low battery.	Charge the UPS for at least 6 hours.
	Battery fault.	Replace the battery with the same type of battery.
	The UPS is not turned on.	Press the power switch again to turn on the UPS.
Alarm continuously sounds when the mains is normal.	The UPS is overloaded.	Remove some loads first. Before reconnecting equipment, please verify that the load matches the UPS capability specified in the specs.
When power fails, back-up time is shortened.	The UPS is overloaded.	Remove some critical load.
	Battery voltage is too low.	Charge the UPS for at least 6 hours.
	Battery defect. It might be due to a high temperature operational environment, or improper operation to battery.	Replace the battery with the same type of battery.
The mains is normal but UPS is on battery mode.	Power cord is loose.	Reconnect the power cord properly.

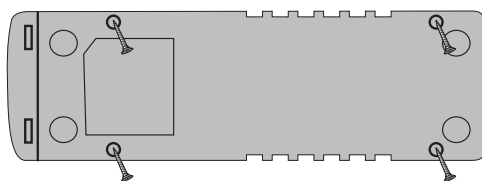
8. PROPER CARE OF BATTERIES

- Do not subject the battery to heavy vibration or mechanical shock.
- When you receive a new battery, charge fully before use.
- Full capacity will be reached after 2 or 3 full charge/discharge cycles.
- To obtain maximum life, always store batteries in a charged state.
- When storing batteries, re-charge every 6 months to prevent damage through self discharge. This should be done more often if storage temperature exceeds 25°C.
- Try to store / use in a cool, dry place. Do not expose to excessive hot or cold (i.e. outside the range 10-35°C ambient temp).
- To prolong battery life, try to avoid the complete discharge of your battery before recovery charge.
- Do not discharge a battery deeper than you have to.
- Do not attempt to dismantle a battery. They do not require topping up.
- Do not incinerate batteries. Always recycle old batteries.
- To avoid the risk of shock, do not touch the terminals.
- Keep terminals free from dirt and corrosion.
- Do not short the connections.
- Always charge in a ventilated area.
- Always use a suitable charging device. If unsure, contact your distributor.
- Replace only with Sollatek recommended replacement batteries. If unsure, contact your distributor.

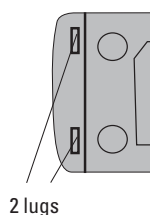
9. BATTERY REPLACEMENT

WARNING: Disconnect all sources of supply before replacing battery.

Replace only with Sollatek recommended replacement batteries. If unsure, contact your distributor.



1. TURN UPS UNIT UPSIDE DOWN
Locate 4 screws on underside of UPS unit, and remove.



2. RETURN UPS UNIT TO ITS CORRECT POSITION.

The top half of the casework will now lift off.
The front fascia will now hinge down, revealing battery. Depending on model and where applicable, remove the bracket holding the battery. Gently pull out the battery. Disconnect the two wires that are connected to the UPS. To reassemble the fascia, ensure the 2 lugs are located correctly.

Replacement battery installation is the reversal of this procedure. Ensure the wires on the battery are connected back exactly the way they were connected originally. Caution! UPS may get damaged if these wires are connected incorrectly - if in doubt, contact Sollatek.

WARRANTY INFORMATION

2 years on electronics and 1 year on batteries.



SOLLATEK (UK) LTD UNIT 9/10 NEWLANDS DRIVE, POYLE 14 INDUSTRIAL ESTATE, COLNBROOK, SLOUGH SL3 0DX, UNITED KINGDOM

Tel: International +44 1753 688300 National 01753 688300

Fax: International +44 1753 685306 National 01753 685306

Technical help: support@sollatek.com

E-mail: sales@sollatek.com

www.sollatek.com