

 **Voltright™**
FridgeRight | TVRight | A/CRight



Voltage stabilisation and protection
for televisions, fridges and
air conditioners

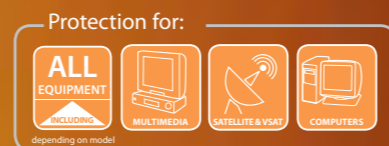
Voltright™ TVRight



Providing you with voltage stabilisation and protection for all your TV and multimedia equipment.

The TVRight will ensure that high voltage is reduced to safe working level for your TV to operate properly. It will also protect by disconnecting the power when it reaches a very high level.

A built in startup delay will protect against power back surges and prevent frequent switching on and off due to fluctuations.



Stabilise and protect your television

Practical and useful features

- Microprocessor controlled stabiliser
- Wide input voltage range
- Excellent output voltage stability
- Includes surge and spike suppression
- Incorporates circuit breaker
- Fast response
- Over voltage & under voltage disconnect
- 10 sec startup delay

Features:



Ideal protection for all your multimedia equipment

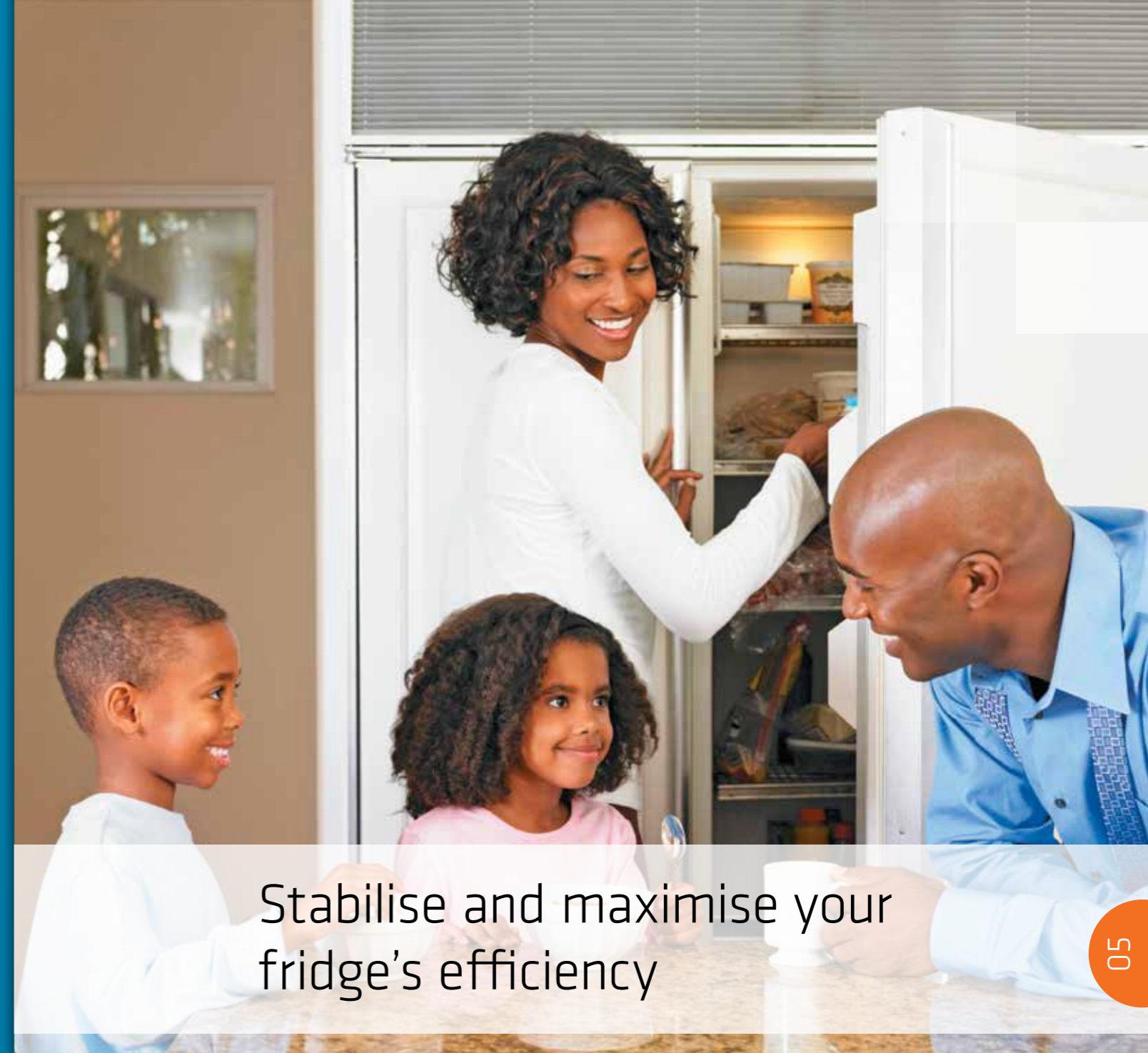
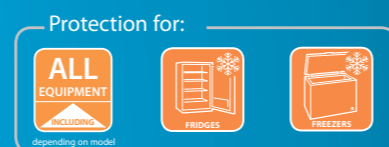
Voltright™ FridgeRight



Providing you with voltage stabilisation and protection for your domestic fridge/freezer.

The FridgeRight will ensure that low voltage and high voltage is brought to safe working level for your fridge to operate properly and cool efficiently. It will also protect by disconnecting the power when it rises to a very high level or drops to a very low level.

A built in startup delay will protect against power back surges and prevent frequent switching on and off due to fluctuations.



Stabilise and maximise your fridge's efficiency

Practical and useful features

- Microprocessor controlled stabiliser
- Wide input voltage range
- Excellent output voltage stability
- Includes surge and spike suppression
- Incorporates circuit breaker
- Fast response
- Over voltage & under voltage disconnect
- 3 minute startup delay

Features:



Ideal protection for all your refrigeration equipment

Voltright™ A/CRight

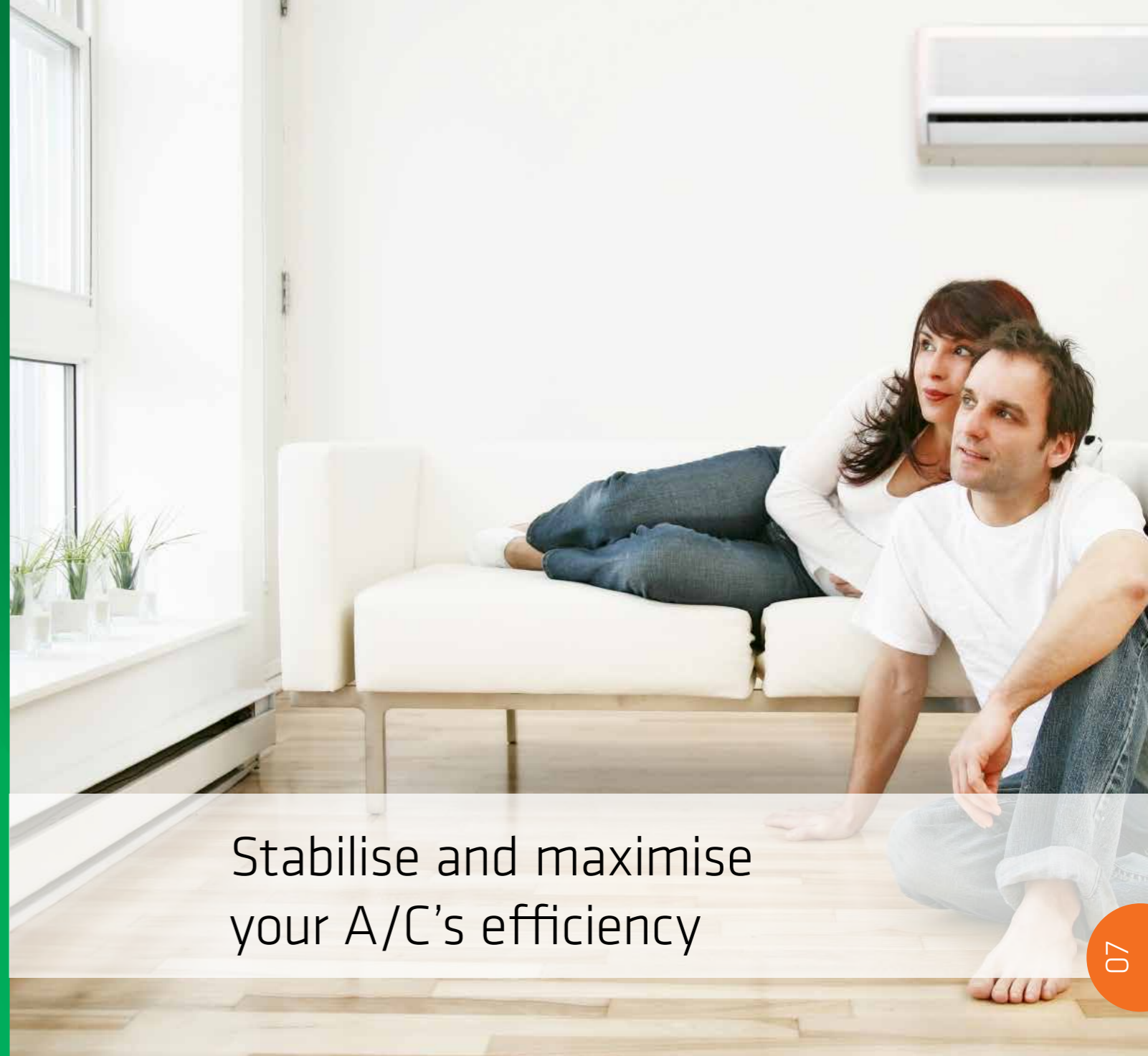


Providing you with voltage stabilisation and protection for your air conditioner.

The A/CRight will ensure that low voltage and high voltage is brought to a safe working level for your A/C to operate properly and to cool efficiently. It will also protect it by disconnecting the power when it rises to a very high level or drops to a very low level.

A built in startup delay will protect against power back surges and prevent frequent switching on and off due to fluctuations.

Protection for:

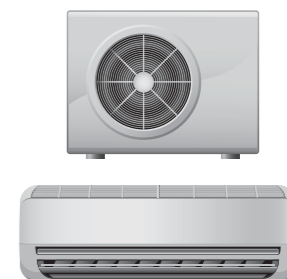


Stabilise and maximise your A/C's efficiency

Practical and useful features

- Microprocessor controlled stabiliser
- Wide input voltage range
- Excellent output voltage stability
- Includes surge and spike suppression
- Incorporates circuit breaker
- Fast response
- Over voltage & under voltage disconnect
- 3 minute startup delay

Features:



Ideal protection for all your air conditioning equipment



The Sollatek RIGHT range - a range of devices that will protect all your valuable equipment

Loaded with features to give you complete peace of mind

The Sollatek RIGHT range has some advanced functions:

AVS™ function



The AUTOMATIC VOLTAGE SWITCHER (AVS™) function adds the following protective function: When the mains power supply fluctuates outside pre-set tolerances (nominally (152V-270V)) the power to your air conditioner is disconnected.

The AVS monitors the voltage for a short period to ensure the power has stabilised before re-connecting. In addition, the start-up delay (3 min) provides protection against power-back surges commonly experienced after resumption of power in a power cut situation.

Surge and spike protection is also incorporated to ensure protection against these events which are very common. They are generated by lightning and nearby switching off and on of other equipment such as vacuum cleaners, pumps, motors, television, elevators etc.

TIMESAVE™ function



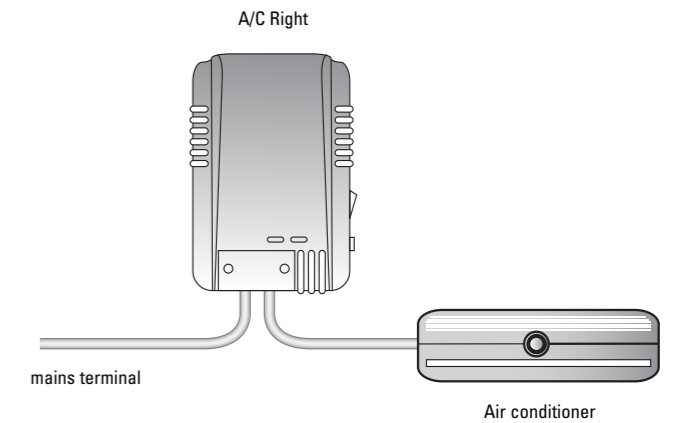
TIMESAVE™ adds the following protective function:

The built-in microprocessor adds the advanced feature TimeSave™. TimeSave™ means that when the mains return to normal, the unit checks the duration of the OFF time. If the unit has been off for more than the standard wait time, then it will reconnect the mains within 10 seconds. This means the Sollatek unit will give you more vital working time than any other stabiliser.

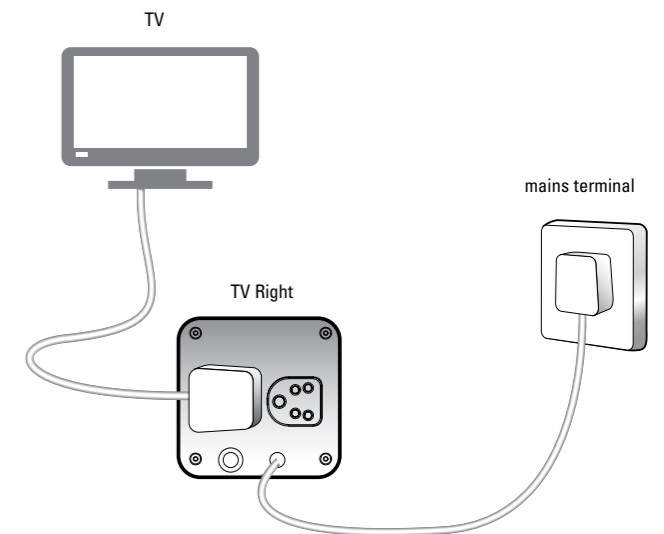


Connectivity

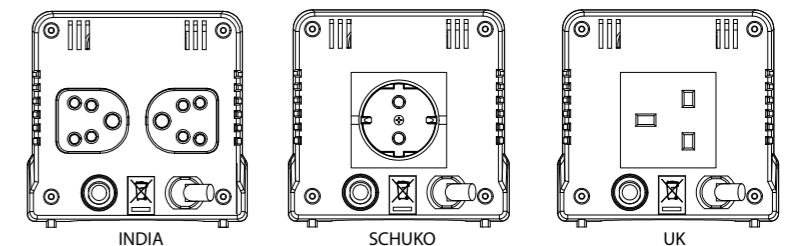
A/CRight connectivity



TVRight and FridgeRight connectivity



TVRight and FridgeRight socket availability

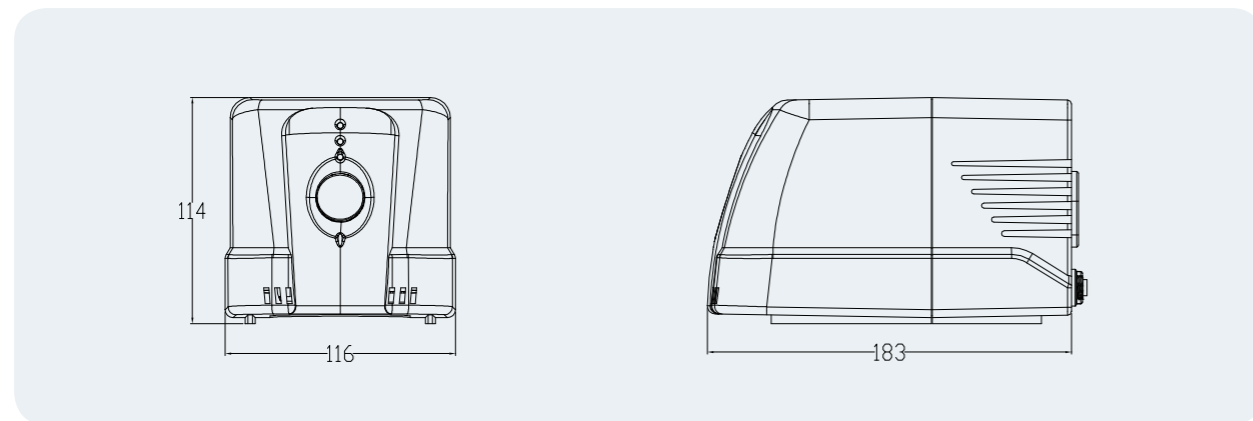


INDIA
 Fridge-Right: 1 socket.
 TV-Right: 2 sockets.

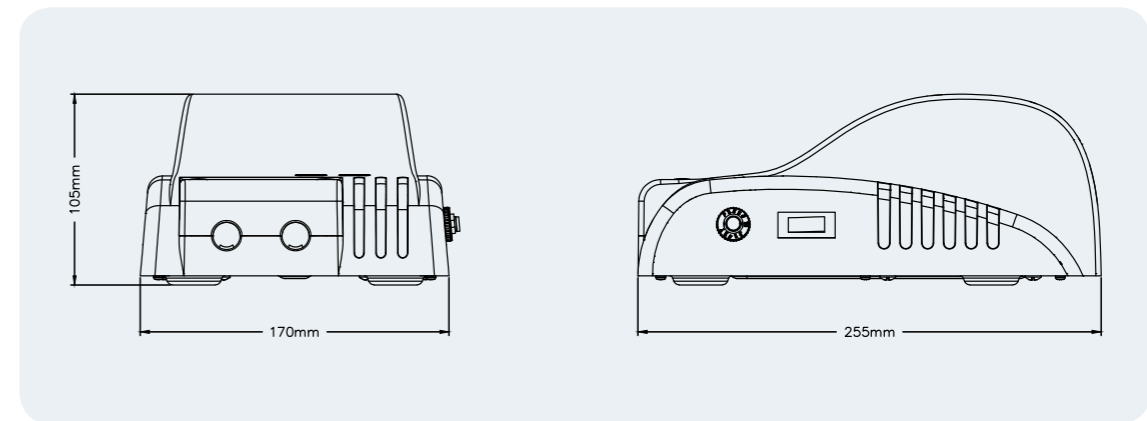
Technical Specifications

Product	TVRight 13M	TVRight 20M	FridgeRight 280M	FridgeRight 450M	A/CRight 120L	A/CRight 150L
Application	Audio-Visual (TV, Video, Satellite, etc)		Fridge/Freezer (Up to 280L)	Fridge/Freezer (Up to 450L)	Air Conditioner	Air Conditioner
Output Current (A) @45°C	1.3A RMS	2A RMS	1A RMS	2A RMS	12A RMS	15A RMS
Regulation Range	120-290V		130-290V		155-270V	
Reconnect Time Delay	10sec ± 6%		3min ± 6%			
Spike Protection	140 joules			190 joules		
Maximum surge current:				6.5kA (8/20µs)		
Typical attenuation:				50dB @ 10Mhz		
Protection mode:				L-N, L-E, N-E		L-N
Overload Protection				Yes (all)		
TimeSave Function	No		Yes			
Sockets	2x (6A Indian 3-Pin) or 1x (EU or UK13A).		1x (6A Indian 3-Pin or EU or UK13A)		Direct	
Circuit Breaker				Input (Reset breaker)		
Cable Length	1m			Direct		
Display LEDs				LVD/HVD (Red), On (Green)		
Weight	1.4Kg			3Kg		

FridgeRight and TVRight Dimensions (mm)



A/CRight Dimensions (mm)



Sollatek's **expertise** extends **worldwide** through **local networks**



Global and Local

With a customer base across the world and a local presence in more than 50 countries, Sollatek is able to provide support services wherever you are.



SOLLATEK UK LTD.

Tel: +44 (1753) 214 500

sales@sollatek.com

www.sollatek.com

ISO9001: 2008 accredited company

All weights and dimensions are approximate. Specifications are subject to change without prior notice. ©Sollatek (UK) Limited 2012. All Rights Reserved. SOLLATEK and the SOLLATEK device are the trade marks of the Sollatek group of companies.

Sollatek (UK) Ltd.
Sollatek House, Waterside Drive, Langley, Slough SL3 6EZ UK