



GMC8

REMOTE MONITORING AND TRACKING DEVICE FOR COMMERCIAL BARISTA AND BEAN TO CUP COFFEE MACHINES



Description

The GMC8 is an advanced remote monitoring and tracking device to help optimise the management of commercial barista and bean to cup coffee machines.

The GMC8 provides real-time measurement and performance data which helps minimise revenue loss caused by fraud, bean impurity and/or machine downtime.

The GMC8 helps monitor machine activity, consumption (single or double coffees) and coffee to ensure customers are receiving quality coffee as well as gaining insight into customer behaviour and store peak times.

The GMC8 offers remote machine health monitoring including machine operation, boiler, water pump and water filter status allowing predictive maintenance and proactive alerts to be flagged reducing service calls and prolong downtime.

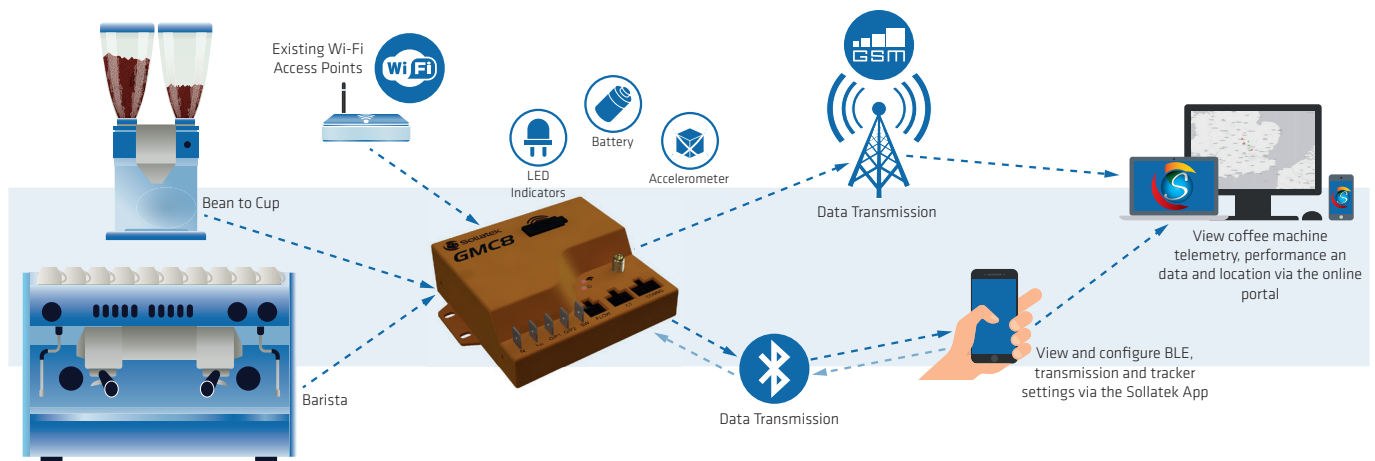
In automatic Bean to Cup machines the consumption per drink selected is monitored as well as machine stock levels and error codes for remote maintenance.

Wi-Fi is used for accurate geo-location and tracking.

Coffee Ambassadors can access the coffee machine remotely via the dedicated mobile application, so they are able to review all health, performance and diagnostic data.

Feature

- Accurate measurement of single or double coffees and machine flushes
- Coffee machine health monitoring for better maintenance schedules
- Wi-Fi and GPS for precise geo-location and tracking no matter where the coffee machine is located
- GSM (2G) or LPWA (LTE-M and NB-IoT) options for secure data transmission to the online portal
- Support of EVA-DTS communication protocol for Bean to Cup machines
- Proximity marketing through iBeacon and Eddystone beacons
- Rechargeable battery for data transmission when mains power is OFF
- On-board accelerometer for movement detection
- Nine inputs for up to 5 flow meters and 4 CT sensors
- RS232 / RS485 interface direct to coffee machine controller
- Control external equipment
- AC (90 to 300 VAC) or DC (12 VDC) powered
- 2 LEDs for status indication
- Easy on site installation within 15 minutes
- Compatible with any barista or automatic bean to cup machine including: Wega, Rancillio, LaCimbali, Carimali, WMF, Shaerer, Evoca, Faema, Casadio, etc.



Technical Specification

Cellular Connectivity

Region	Global	
Antenna	Internal	
Type	2G	LTE
Category	EDGE, GSM, GPRS	Cat-M1, Cat-NB1
Frequency Band	850 / 900 / 1800 / 1900	B1, B2, B3, B4, B5, B8, B12,B13, B18, B19, B20, B25, B28, B39

Bluetooth Connectivity

Type/Version	BLE 4.1
RF Power Output	-20 dBm to +4 dBm
Frequency	2.4 GHz ISM
Connectivity	Eddystone & iBeacon
Bluetooth Standard	IEEE 802.15.1

Wi-Fi Geo-location

Frequency Range	2.4 GHz
Protocol	802.11 b/g/n

GNSS Tracking

GNSS System	GPS, GLONAS, Galileo, QZSS
Position Accuracy	< 3 m
Sensitivity	-146dBm (cold start) and -157dBm (tracking)

Accelerometer

Measurement Direction	3-axis
Measurement Scale	±2G

Battery

Battery Type	Rechargeable Lithium polymer
Nominal Voltage	3.7 V
Capacity	700 mAh
Typical Run Time	Approx. 15 days (based on hourly transmission)

Memory

Size	32 Mbit for data storing between transmission
------	---

User Interface

LEDs	1 x Power ; 1 x GSM
------	---------------------

Connectors

Input	2x3-way Terminal for 5 x Flow Meters, 2x4-way Terminal for 4 x CT Inputs
Relay Rating	10 A
Power & Output Connector	5 x 0.25" (6.35 mm) male Faston Tab terminals
Data Interface	2x5-way Terminal for UART, RS485 & RS232 communication
GPS Antenna	SMA Socket

Power & Voltage Protection

Operating Voltage Range	90 to 300 VAC or 12 VDC
Working Frequency	50-60 Hz
Voltage Protection	Spikes & Surges

Environmental

IP Rating	Electronics: IP65
Operating Temperature	0°C to +60°C (32°F to +140°F)
Operating Humidity	<90% RH non-condensing

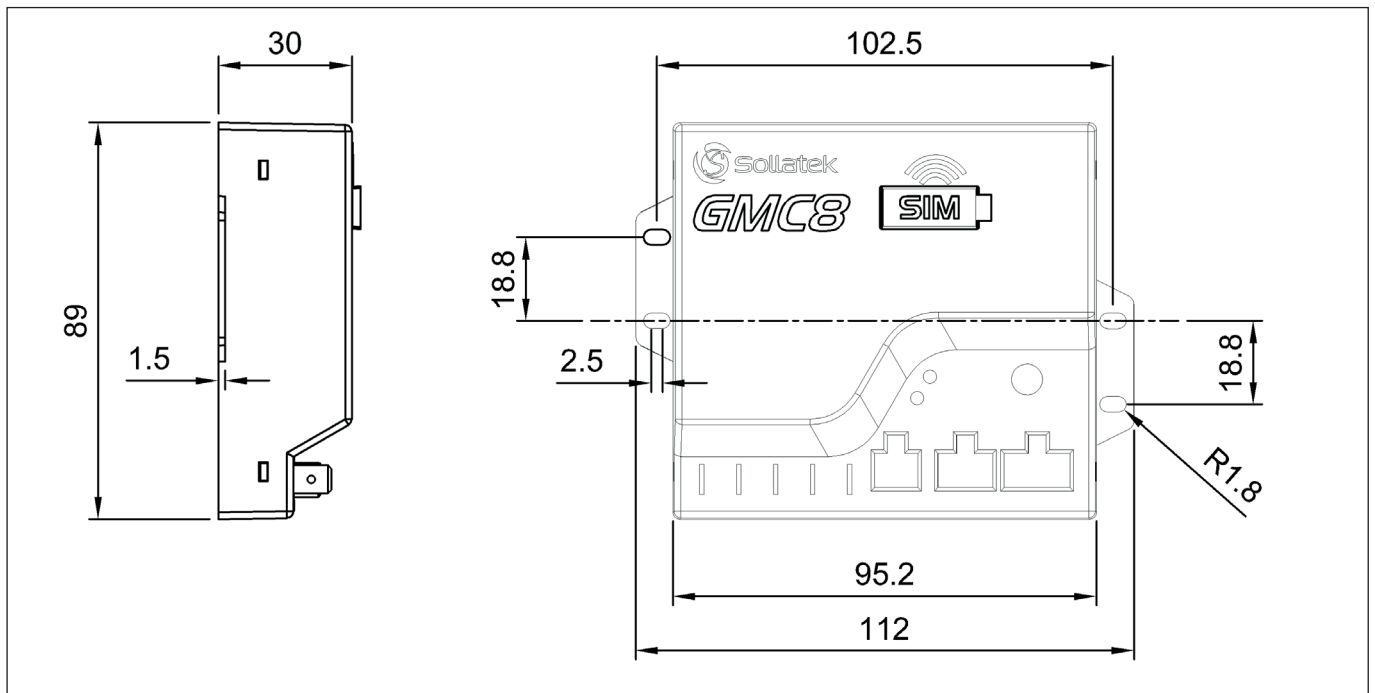
Certification / Standards

Product Certification	CE, EN 62368-1, EN 301 489-1, EN 301 489-7, EN 301 489-17, EN61326-1, EN 301 511, EN 300 328, EN62311
Flammability	UL94 v-0 @ 1.5 mm, GWFI = 960°C, GWIT = 850°C

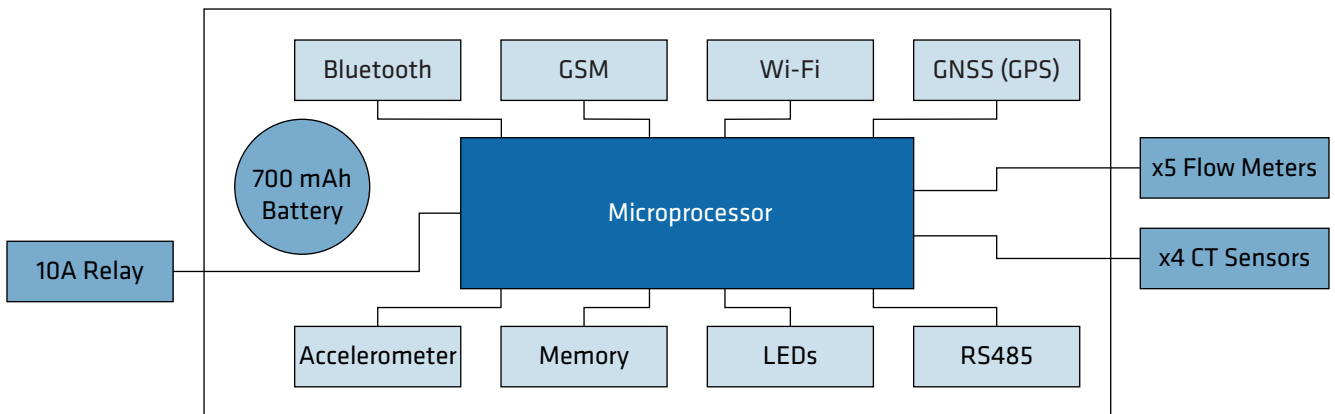
Mechanical & Shipping

Mounting	M4 self-tapping pozidriv screws		
	Quantity	Weight	Dimensions
Product	1	210 g (TBC)	112.0 x 89.0 x 31.9 mm
Inner Carton	N/A	N/A	N/A
Outer Carton	100	23 kg (TBC)	510 x 560 x 250 mm
Pallet	Air Freight: 1200 Sea Freight: 3200	290 kg (TBC) 750 kg (TBC)	1200 x 1000 x 900 mm 1200 x 1000 x 2150 mm

Dimensional Drawing




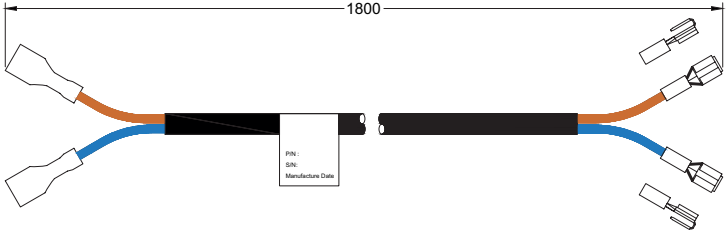
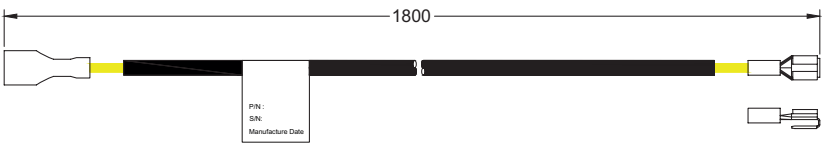
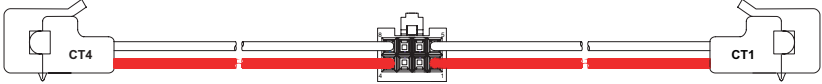

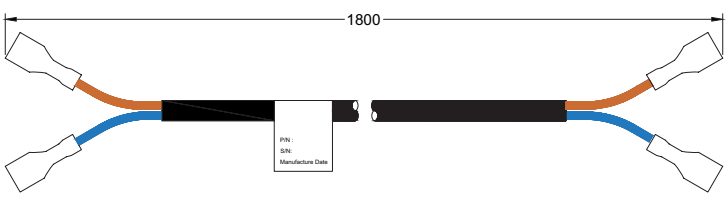

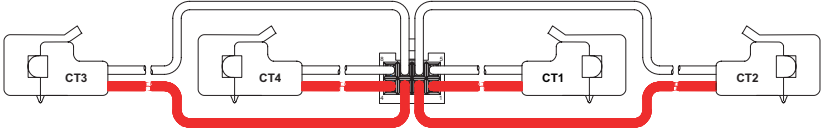
GMC8 Architecture Diagram



Device Configuration Table

	GMC8-4BWR (95384RBW)	GMC8-4BWR-D (95384RBW-D)
Model Description	BLE - Wi-Fi - RS232	BLE - Wi-Fi - RS232
Power	AC	DC
Use	Barista Machines	Bean to Cup Machine
GPS Antenna	✓	✓
Power Cable	✓	✓
AC Switch Input Cable	✓	
Flow Meter Cable	✓	
2x CT Cable or 4x CT Cable	✓	
Relay Output Cable	✓	
Comms Cable		✓

Accessories

Part Number	Description	
6G000056	GPS Antenna 1.8V 60cm Cable R/A SMA (M)	
8M291041-3	Power Cable	
8M291041-2	AC Switch Input Cable	
8M291041-6	2x CT Cable	
8M291041-4	Flow Meter Cable	
8M291041-1	Relay Output Cable	
8M291041-9	Comms Cable	
8M291041-5	4x CT Cable	

For more information on the Sollatek product range visit www.sollatek.com

