

GMC4

ADVANCED PLUG-IN CONNECTIVITY, MONITOR AND TRACKING DEVICES FOR REFRIGERATION CONTROLLERS OR AS STANDALONE DEVICE

DESCRIPTION

The GMC4 stands out as a compact and user-friendly connectivity and tracking device. It can be employed either as a standalone device or seamlessly plugged into Sollatek temperature controllers (JEA, JEAc and FCx3). This integration offers continuous monitoring, configuration, and location capabilities to enhance the efficiency of refrigeration systems.

It efficiently provides full system management and fleet optimisation, with monitoring of not only the connected sensors but also the status of the connected equipment (compressor, fans, lights or heaters), the controller status and mode, as well as the cooler location.

Monitoring operational and health data allows early detection and proactive measures to prevent issues, boosting uptime, reducing maintenance costs, and ensuring optimal system operation. Analysing this data reveals customer behavior and trends, aiding data-driven sales and marketing strategies. It enhances customer satisfaction through product quality assurance and personalised customer engagement.

The GMC4 enables remote parameter configuration and firmware updates, enhancing device functionality with new features, bug fixes, and site-specific settings without requiring site visits.

FEATURES

- Available as Standalone Device (GMC43 only)
- Real-Time Data Monitoring and Historical Data Tracking
- GSM and Bluetooth Connectivity
- Remote Configuration and Firmware Over The Air Update
- Online Portal and Application for Remote Monitoring from a Computer, Tablet or Smartphone
- User-Friendly Interfaces with Clear Data Visualisations
- Wi-Fi Location Tracking and Positioning Using Access Points
- Backup Battery for Uninterrupted Location Transmission during Power Outages
- Customer Engagement through BLE Beacons - iBeacon and Eddystone
- Small Compact Design for Discreet Mounting
- IP53 Sealed Enclosure
- Simple Installation and Set-up (Plug and Play)
- Powered from the Host Device (GMC41, GMC42) and LED PSU (GMC43 only)



Pull out screw mounting tabs

FEATURES



TECHNICAL SPECIFICATION

CELLULAR CONNECTIVITY		
Target Region	Global	
Antenna	Internal	
Type	2G	LTE
Category	EDGE, GSM, GPRS	Cat-M1, Cat-NB2
Frequency Band	850 / 900 / 1800 / 1900	B1, B2, B3, B4, B5, B8, B12, B13, B18, B19, B20, B25, B28, B66, B71, B85
BLUETOOTH CONNECTIVITY		
Type/version	BLE 4.1	
RF Power Output	-20 dBm to +4 dBm	
Frequency	2.4 GHz ISM	
Connectivity	Eddystone, iBeacon & connection to the Sollatek Smart Device Application	
Bluetooth Standard	IEEE 802.15.1	
Memory Size	32 Mbit for data/event storing between transmission	
WI-FI LOCATION & MOVEMENT		
Frequency Range	2.4 GHz	
Protocol	802.11 b/g/n	
Measurement Direction	3-axis	
Measurement Scale	High Sensitivity $\pm 2\text{g}$	
BACKUP BATTERY		
Battery Type	Rechargeable Lithium Polymer	
Nominal Voltage	3.7 V	
Capacity	750 mAh	
Typical Run Time	Approx. 5 months (dependant on the set transmission frequency)	
GENERAL		
	GMC41, GMC42	GMC43
Power	via Host Device	via LED PSU
Power Requirement	60 ¹ -140 mA ² 12 V 30 ¹ -70 mA ² 24 V ¹ when battery is full ² when battery is empty	
LEDs	1 x Green Power, 1 x Green Battery, 2 x (Green & Red) GSM	
Connector	USBc	USBc and Power Connector
Input Type	Data provided by Controller	Temperature Sensor & Door Switch
Temperature Probe Type	-	10 K Ω NTC ($\beta_{25/85}$: 3435 k)
ENVIRONMENTAL		
IP Rating	IP53 sealed enclosure	
Operating Temperature	-20°C to +60°C (-4°F to +140°F)	
Operating Humidity	<90% RH non-condensing	
CERTIFICATION / STANDARDS		
Product Certification	CE, UKCA	
Flammability	UL94 V-0 @ 1.5 mm, GWFI: 960 °C, GWIT: 850 °C	
Pollution Degree	2	
MECHANICAL		
Mounting	Double sided adhesive pad or Pull out screw tabs: 2 x No.4 13mm Torx-Pin Pan Self-drill screws	
Unit Dimensions (L x W x H)	77.65 x 49.65 x 30.0 mm	
Unit Weight	Approx. 60 g	
PACKING & SHIPPING		
Carton Quantity	200 units	
Carton Dimensions (L x W x H)	580 x 485 x 327 mm	
Carton Gross Weight	Approx. 17.5 kg	
Pallet Quantity	24 cartons (4800 units)	
Pallet Dimensions (L x W x H)	1200 x 1000 x 2112 mm	
Pallet Weight	440 kg	

SOLLATEK (UK) LIMITED

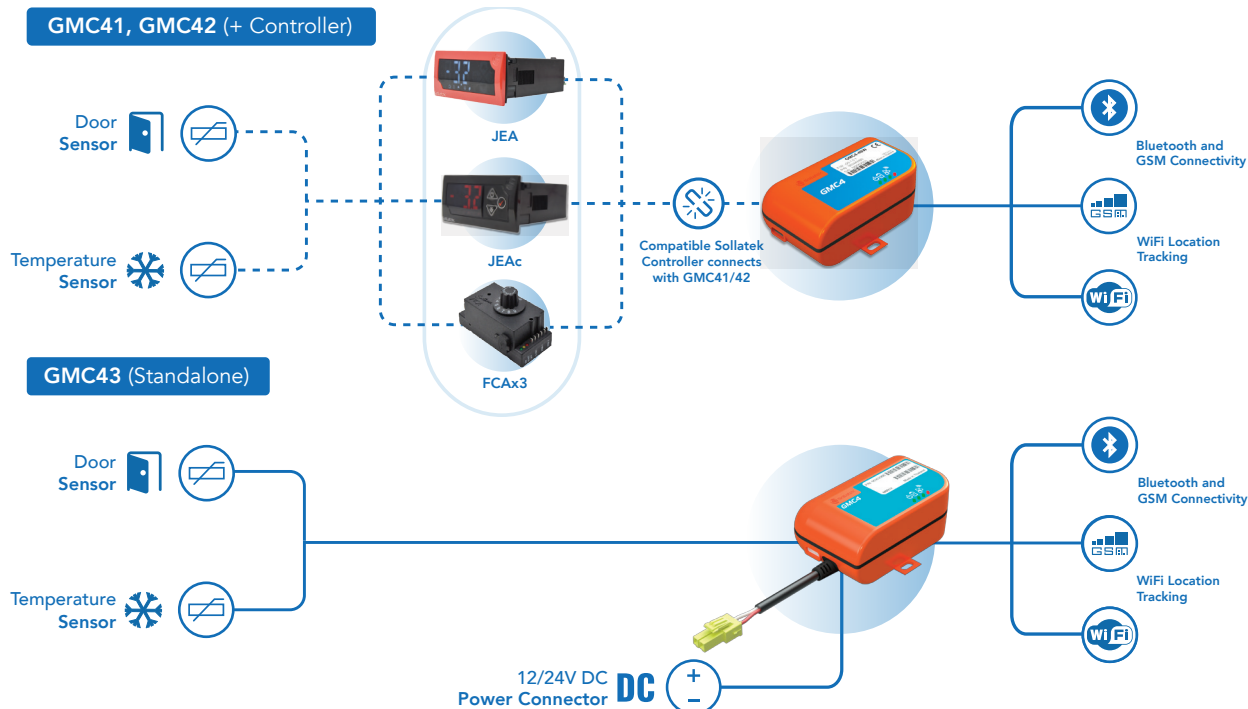
Sollatek House, Waterside Drive, Langley, Slough SL3 6EZ, United Kingdom

Tel: +44 (1753) 214 500
Email: sales@sollatek.com
Web: www.sollatek.com

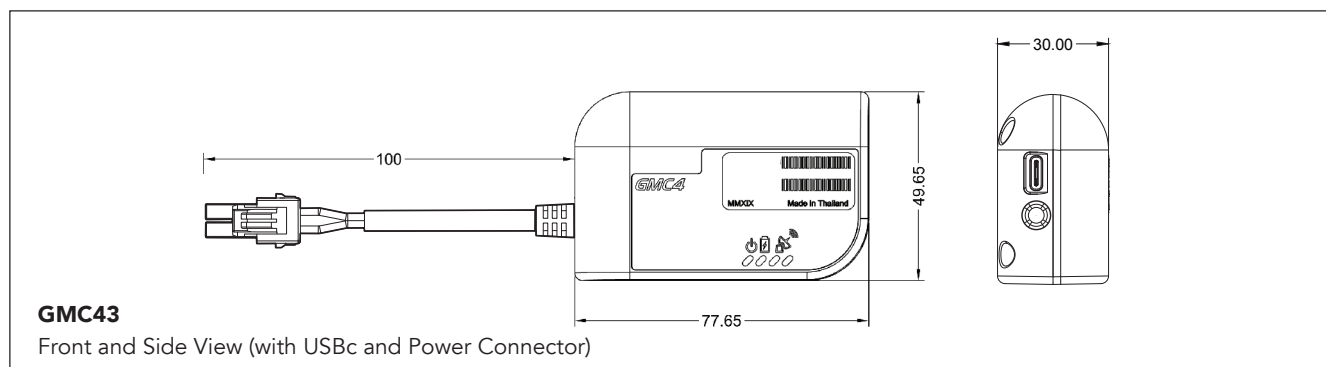
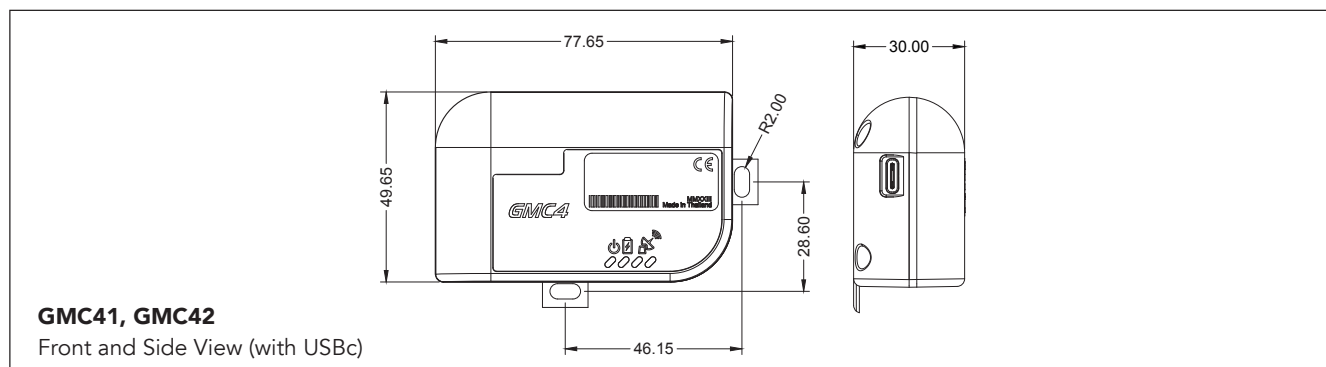
ISO9001: 2015 accredited company
All weights and dimensions are approximate. Specifications are subject to change without prior notice. ©Sollatek (UK) Limited 2024. All Rights Reserved. SOLLATEK and the SOLLATEK device are the trade marks of the Sollatek group of companies.



SYSTEM PRINCIPLE



DIMENSIONAL DRAWING



Product Code	GMC4 Description	Host/Sensor Connection	Power I/P	Host
95342WB1	GMC41-2BW 2G	USBc – Host	N/A	FCAX3
95344WB1	GMC41-4BW 4G	USBc – Host	N/A	FCAX3
95342WB2	GMC42-2BW 2G	USBc – Host	N/A	JEA
95344WB2	GMC42-4BW 4G	USBc – Host	N/A	JEA
95344WB3	GMC43-4BW 4G	USBc – Temp and Door Sensor	Cable Connector to LED PSU	Standalone

SOLLATEK (UK) LIMITED
 Sollatek House, Waterside Drive, Langley, Slough SL3 6EZ, United Kingdom
 Tel: +44 (1753) 214 500
 Email: sales@sollatek.com
 Web: www.sollatek.com

ISO9001: 2015 accredited company
 All weights and dimensions are approximate. Specifications are subject to change without prior notice. ©Sollatek (UK) Limited 2024. All Rights Reserved. SOLLATEK and the SOLLATEK device are the trade marks of the Sollatek group of companies.

