

GGR

MULTI-GNSS RECEIVER MODULE FOR GEOLOCATION COOLER TRACKING OF REFRIGERATORS & FREEZERS

DESCRIPTION

The GGR functions as a Multi-GNSS receiver module. It increases the efficiency of remote cooler tracking when integrated with a Sollatek host device, such as the FDEx2. It collects signals from diverse navigation systems which include; GPS, GLONASS and Galileo. This allows for enhanced accuracy, success rates, and signal robustness for improved positioning.

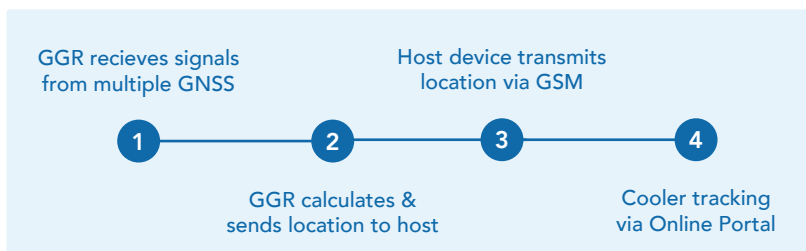
Once the GGR acquires its location through satellite signals, it relays this information to the host device. Subsequently, via the host device's GSM module, this location data gets transmitted to an online portal.

The process of linking the GGR to a Sollatek host device is straightforward using a connection cable, and the GGR operates by drawing power from the host device.

FEATURES

- Receives signals from multiple GNSS systems including GPS, GLONASS, and Galileo
- Boasts high sensitivity for precise signal reception
- Enables cooler tracking through the online portal
- The online portal furnishes comprehensive details such as location, device specifics, power status and additional performance metrics derived from the host
- Compatible with Sollatek FDEx2, FFA (EMD) and GMC0 (GSM Modem)
- Draws power from the Host Device
- Operates with ultra-low power consumption, featuring a sleep mode to conserve battery
- Easily adapts to a Sollatek Host Device using a connecting cable
- Offers the option to connect a secondary device, like a display, expanding user interactions through the second micro USB port
- Equipped with LED status indicators

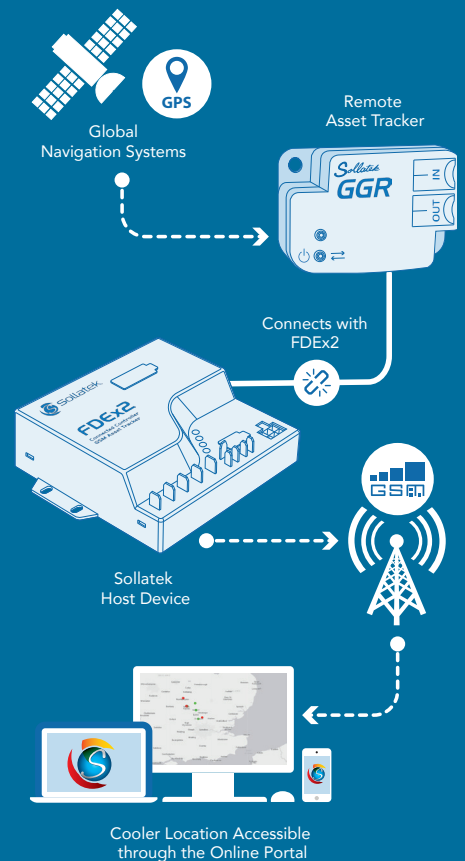
TYPICAL APPLICATION



FEATURES



SYSTEM DIAGRAM

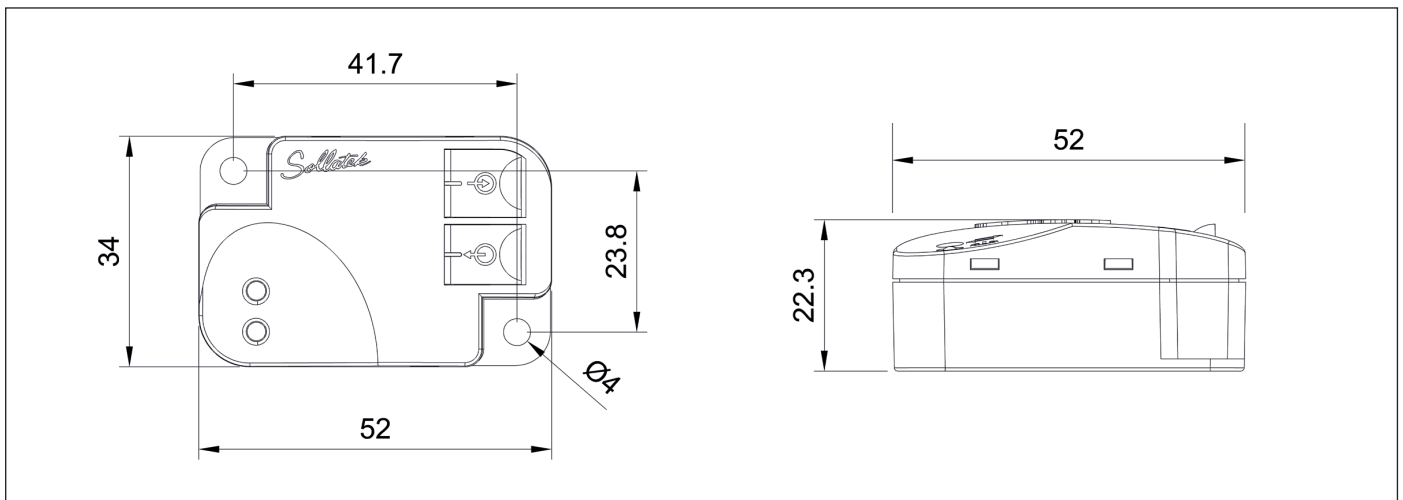


SPECIFICATIONS

GNSS TRACKING	
System	Multi-GNSS engine for GPSS, GLONASS, Galileo
Position Accuracy	Horizontal position accuracy < 10m
Sensitivity	Error probability (CEP) @ -130dBm
POWER & CONNECTOR	
Power	Power from Host Device
Connector	GGR to host device using serial data via Micro USB connector
ENVIRONMENTAL	
IP Rating	IP52 Sealed Enclosure*
Operating Temperature	-40°C to 65°C (-40°F to +149°F)
MECHANICAL	
Mounting	2x screws or double-sided adhesive pad (provided)
Unit Dimensions	52.0 x 34.0 x 22.3 mm
Unit Weight	25 g
PACKING & SHIPPING	
Carton Quantity	180 units (1 carton)
Carton Dimensions	280 x 470 x 160 mm
Carton Weight	5.4 kg (Net) 7.3 kg (Gross)
Pallet Quantity	7200 units (40 cartons)
Pallet Dimensions	1200 x 1000 x 1000 mm
Pallet Weight	232 kg (Net) 312 kg (Gross)

* Not tested, subject to mounting orientation

DIMENSIONAL DRAWING



PRODUCT CODE DESCRIPTION

9530GR10 GGR1 Multi-GNSS Receiver Module

Auxiliaries

8M293477	Cable 2x4 Way to uUSB 2m (GMC0 to GGR1)
8M291018	Cable 2x4 Way FFA to uUSB 0.5m (FFA to GGR1)
8M291019	Cable 2x4 Way FFA to uUSB 2m (FFA to GGR1)
8M293510	Cable 2x3 Way to uUSB RA 0.5m (FDEx2 to GGR1)
8M293473	Cable 2x3 Way to uUSB R/A 3m (FDEx2 to GGR1)

SOLLATEK (UK) LIMITED

Sollatek House, Waterside Drive, Langley, Slough SL3 6EZ, United Kingdom

Tel: +44 (1753) 214 500
Email: sales@sollatek.com
Web: www.sollatek.com

ISO9001: 2015 accredited company
All weights and dimensions are approximate. Specifications are subject to change without prior notice. ©Sollatek (UK) Limited 2023. All Rights Reserved. SOLLATEK and the SOLLATEK device are the trade marks of the Sollatek group of companies.

