

GMC5-DT

BATTERY POWERED CELLULAR AND WI-FI ASSET TRACKING DEVICE FOR REFRIGERATORS & FREEZERS

DESCRIPTION

The GMC5-DT is an end-to-end ultra low cost after-market, battery powered asset tracking device for commercial refrigerators and freezers.

It utilises Wi-Fi geolocation which offers pinpoint accuracy for asset tracking within indoor spaces where GPS (GNSS) falls short. The system harnesses one of the world's premier Wi-Fi location databases, enabling users to track asset locations on a dynamic map.

The GMC5-DT is equipped with a built-in temperature sensor, providing precise operational and product data made accessible through the online portal. It also boasts a built-in accelerometer, allowing for real-time monitoring of door openings (only available for vertical coolers).

Three operational modes (stationary, movement and post-movement) to maximise battery. Transmission intervals can be fully customised Over The Air via the online portal. The GMC5-DT is fully sealed and rated IP65.

The GMC5-DT can be mounted easily and discreetly within the cabinet or compressor compartment of a cooler or freezer using an industrial adhesive pad allowing for a quick and effortless installation.

FEATURES

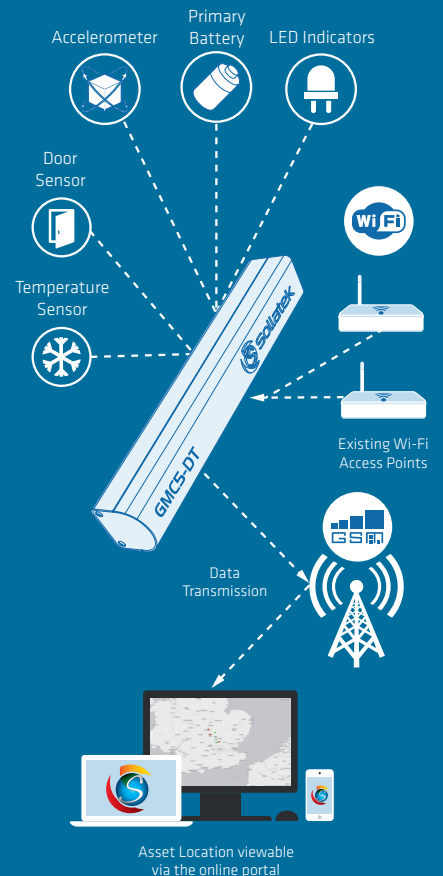
- Ultra-low cost
- Standalone device
- Easy installation in after-market coolers, requiring no wiring
- Over 10 years battery life with weekly update
- Field-replaceable batteries for convenient maintenance
- Wi-Fi for geo-location, ideal for asset tracking indoors or in urban environments (Wi-Fi scanning only, no connection)
- GSM for secure transmission to the online portal
- Remote configuration of settings and Firmware updates Over The Air (FOTA)
- On-board accelerometer for movement detection and door openings
- Embedded temperature sensor
- Integrated Wi-Fi and cellular antennas
- IP65 sealed enclosure for protection against environmental elements
- Equipped with LED transmission status indicators
- On/Off magnetic switch for device activation/deactivation as needed



FEATURES



SYSTEM DIAGRAM



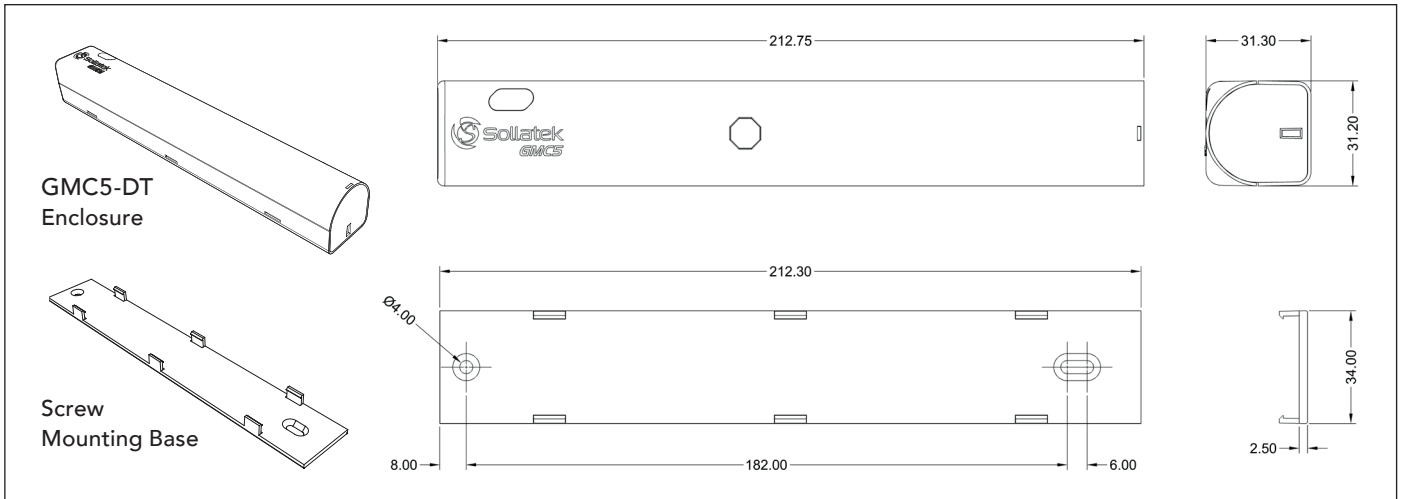
SPECIFICATIONS

BATTERY		
Nominal Voltage	2 x 3 V cells in series	
Capacity	5000 mAh	
Energy	30 W/h	
Operating Life	>10 years (based on weekly update)*	
CELLULAR CONNECTIVITY		
Target Region	Global	
Antenna	Internal	
Type	2G	LTE
Category	EDGE, GSM, GPRS	Cat-M1, Cat-NB1
Frequency Band	850 / 900 / 1800 / 1900	B1, B2, B3, B4, B5, B8, B12, B13, B18, B19, B20, B25, B28, B39
SIM Card	eSIM chip	
Memory	4 Mbit	
WI-FI GEO-LOCATION		
Frequency Range	2.4 GHz	
Protocol	802.11 b/g/n	
ACCELEROMETER		
Measurement Direction	3-axis	
Measurement Scale	High Sensitivity ±2g	
TEMPERATURE SENSOR		
Measurement Range	-30°C to +40°C (-22°F to +104°F)	
Sensor Type	NTC	
DOOR SENSOR		
Sensor Type	Accelerometer	
USER INTERFACE		
LEDs	Device On/Off - Green 2x GSM power / transmitting status - Green & Red	
On / Off Switch	Magnetic Switch (with supplied magnet)	
ENVIRONMENTAL		
IP Rating	IP65 Sealed Enclosure	
Operating Temperature	-40°C to +70°C (-40°F to +158°F)	
Operating Humidity	0 - 100%	
Storage Temperature	Max. 30°C (86°F)	
CERTIFICATION / STANDARDS		
Product Certification	CE, UL (TBA)	
MECHANICAL		
Mounting	Double sided adhesive pad or Screw mounting base	
Unit Dimensions	212.75 x 31.30 x 31.20 mm	
Unit Weight	185 g	
PACKING & SHIPPING		
Carton Quantity	100 units	
Carton Dimensions	480 x 440 x 247 mm	
Carton Weight	Approx. 20 kg	
Pallet Quantity	3600 units (36 cartons)	
Pallet Dimensions	1200 x 100 x 2373 mm	
Pallet Weight	Approx. 750 kg	

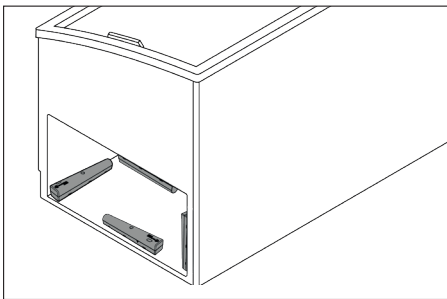
Dimensional diagram and recommended device positioning for GMC5-DT can be found on the following page. The illustrations serve as a reference for mounting orientation and device placement and may vary based on the available space within the freezer.



DIMENSIONAL DRAWING

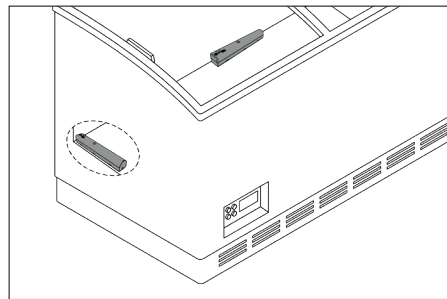


DEVICE PLACEMENT



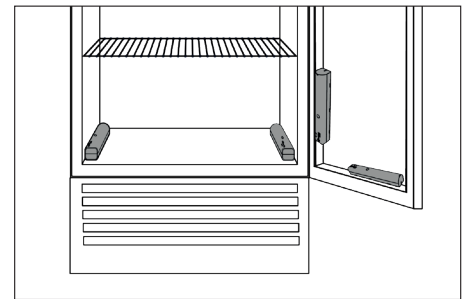
Horizontal 1

Mounted within the compressor compartment as close to the grill as possible.



Horizontal 2

Mounted on the floor or on the compressor step along any wall depending on basket positioning.



Vertical

Mount along the side walls on either the bottom, top of the cabinet or door interior.

PRODUCT CODE DESCRIPTION

95352TW0	GMC5DT-2W 2G Tracker WiFi Pri Batt Temp
95354TW0	GMC5DT-4W 4G Tracker WiFi Pri Batt Temp

SOLLATEK (UK) LIMITED

Sollatek House, Waterside Drive, Langley, Slough SL3 6EZ, United Kingdom

Tel: +44 (1753) 214 500
Email: sales@sollatek.com
Web: www.sollatek.com

ISO9001: 2015 accredited company
All weights and dimensions are approximate. Specifications are subject to change without prior notice. ©Sollatek (UK) Limited 2023. All Rights Reserved. SOLLATEK and the SOLLATEK device are the trade marks of the Sollatek group of companies.

