

SVS02 / SVS04 VOLTAGE STABILISER

VOLTAGE STABILISATION AND PROTECTION FOR ALL ELECTRICAL AND ELECTRONIC EQUIPMENT

DESCRIPTION

The Sollatek Voltage Stabiliser SVS02 and SVS04 ensure uninterrupted, optimal performance for your electrical and electronic appliances, shielding them from the detrimental effects of voltage fluctuations.

Equipped with a sophisticated digital processor, the Sollatek SVS diligently monitors and rectifies power supply, guaranteeing a steady and reliable voltage for your equipment.

Should the input voltage surge to hazardous levels, the in-built Automatic Voltage Switcher (AVS) intervenes by disconnecting the output, adding an extra layer of safeguarding for your valuable appliances. The SVS vigilantly keeps an eye on voltage levels and resumes power delivery only when conditions are safe.

The SVS line boasts a 12-LED display panel for precise voltage indication, featuring 7 LEDs for input voltage and 5 LEDs for output voltage. Encased in a robust, compact, and corrosion-resistant ABS enclosure, the Sollatek SVS is a hassle-free plug-and-play device, requiring no complex setup.

APPLICATIONS

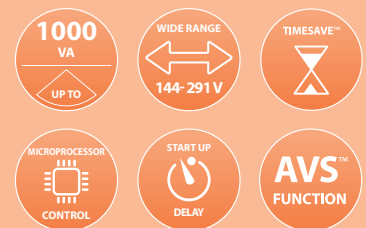
The SVS02 and SVS04 models are compatible with a wide array of electrical and electronic appliances, encompassing everything from refrigerators, freezers, televisions, multimedia devices, satellites, to computers.

FEATURES

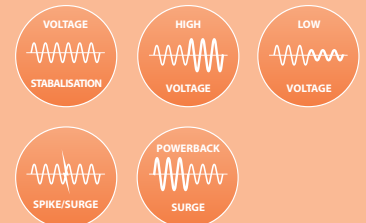
- Microprocessor controlled stabiliser
- Extremely fast response
- Very wide input voltage range (-26% to +19%)
- Excellent output voltage stability ($\pm 6\%$)
- Small and lightweight unit
- Includes surge and spike suppression and protection
- Incorporates over & under voltage disconnect (AVS™ function) when mains is extreme and outside working limits
- Startup delay to allow neutralisation of compressor gases, critical in such applications
- Incorporates TIMESAVE™ Function (10 second start-up delay after long duration powercut)
- Available with different plug & socket combinations
- British Design



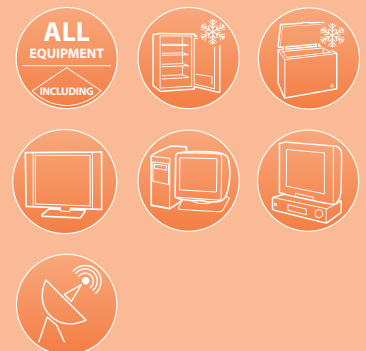
FEATURES



PROTECTION AGAINST



PROTECTION FOR



TECHNICAL SPECIFICATION

INPUT & OUTPUT				
Model		SVS02		SVS04
Nominal Voltage		230 V		
Stabilisation Range	Input -26% to +19%	±6% (216 to 244 V)		
	Input -29% to +23%	±10% (207 to 253 V)		
Operating Voltage	Over Voltage	Disconnect	291 V	
		Reconnect	286 V	
	Under Voltage	Disconnect	144 V	
		Reconnect	149 V	
Frequency Range		45 to 75 Hz		
Load Current		2 A	4 A	
GENERAL				
Derating Factor		10% to 15% per 10°C above 40°C		
Synchronisation		Output synchronised to input		
Permissible Overload		1000% for 100ms, 150% for 4 minutes, 110% for 15 minutes		
Load Types		Electrical and electronic appliances incl. Fridges, Freezers, TV, Multimedia, Satellites, IT Equipment and Computers		
Status Indicator		x7 LEDs for Input voltage status x5 LEDs for Output voltage status		
Technology		Transformer tap switching using relays		
Efficiency		>97% (at 100% linear load)		
Control		Micro-controller based control system provides self checks, system integrity, monitoring and diagnostic indicators		
Control Protection		Internal surge arrestors and filters in control circuit protect against disturbances. Filtering algorithms and fault tolerant software protect against disturbances and false measurements		
Ambient Temp Range		0°C to 55°C		
Relative Humidity		< 95%, non condensing		
Environmental Protection		IP20		
Acoustic Noise		< 45 dB (A)		
Expected Service Life		> 10 years		
Standards		CE, EN 61558-1, EN 61558-2-13, EN 55014-1, EN 61000-3-2, EN 61000-3-3, EN 61000-4-2, EN 61000-4-3, EN 61000-4-4, EN 61000-4-5, EN 61000-4-6, EN 61000-4-11.		
Correction Speed		750 Volts per second		
Response		Within 0.1 second		
Wait Time on Start Up		10 s, 3 min or 6 min (depending on model)		
Power Factors		Unaffected by load power factor		
AVS™ Function		Automatic voltage switcher: output is switched off to protect device against over and under voltage and automatically reconnects when safe		
TimeSave™ Function		Reduced startup delay if unit was off for more than the standard delay period to 10 seconds		
MECHANICAL				
Connection		Plug and Socket		
Unit Dimensions WxHxD		190 x 100 x 124 mm		
Unit Weight		2.0 kg	3.6 kg	
Model	SVS02	SVS04	SVS02	SVS04
Packing	Carton		Pallet	
Dimensions	500 x 390 x 180 mm		1200 x 1000 x 1050 mm	
Weight	9.0 kg	15.6 kg	200 kg	486 kg
Quantity	1 carton (4 units)		30 cartons (120 units)	

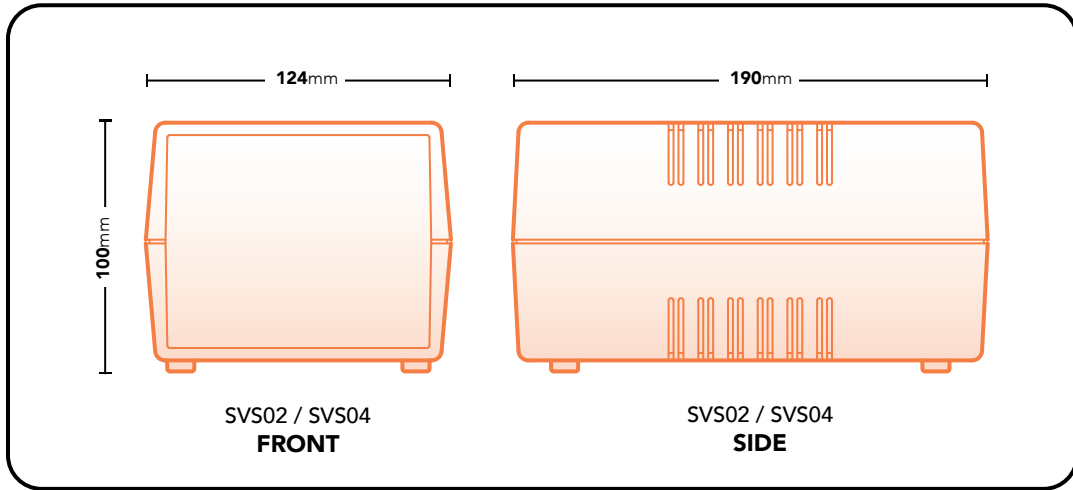
VOLTAGE TABLE

INPUT	OUTPUT
0-144	OFF
145	182
155	196
165	208
175	221
185	233
195	221
205	232
210	237
215	215
225	225
235	235
240	240
245	218
255	228
265	237
275	248
285	255
290	259
291	OFF

All weights and dimensions are approximate. Specifications are subject to change without prior notice. ©Sollatek (UK) Limited 2023. All Rights Reserved.

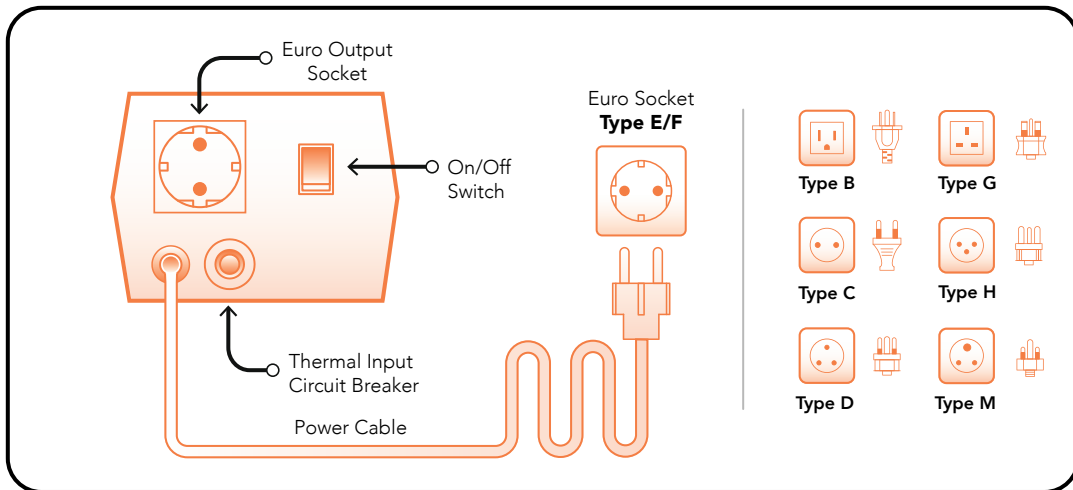


DIMENSIONAL DIAGRAM



i The diagrams presented are for illustrative purposes only. Detailed drawings are available upon request.

REAR PANEL DIAGRAM



+ Alternative plug types available: Type B, C, D, G, H and M. Other plug types not listed available upon request.

PRODUCT CODE

DESCRIPTION

98202000/01	SVS02(01)-22 CE UK 2A/01A 230V/1/50-60Hz
98202010	SVS02(01)-22 CE EURO 2A/01A 230V 50-60Hz
98204000/01	SVS04(03)-22 CE UK 4A/3A 230V 50-60Hz
98204008	SVS04-22 4A 1KVA 230V EURO 6min E7/VR.
98204010	SVS04(03)-22 CE EURO 4A/3A 230V 50-60Hz
98204011	SVS04(03)- 22 4/3A Euro 230V 10sec

SOLLATEK (UK) LIMITED

Sollatek House, Waterside Drive, Langley, Slough SL3 6EZ, United Kingdom

Tel: +44 (1753) 214 500
Email: sales@sollatek.com
Web: www.sollatek.com

ISO9001: 2015 accredited company
All weights and dimensions are approximate. Specifications are subject to change without prior notice. ©Sollatek (UK) Limited 2023. All Rights Reserved. SOLLATEK and the SOLLATEK device are the trade marks of the Sollatek group of companies.

