

# SVS08-11 VOLTAGE STABILISER

## VOLTAGE STABILISATION AND PROTECTION FOR ALL ELECTRICAL AND ELECTRONIC EQUIPMENT

### DESCRIPTION

The SVS08-11 is a precise voltage stabiliser designed to protect your appliances against the harmful consequences of an unpredictable power supply to maintain optimal performance and extend appliance life. It continuously monitors and corrects the supply voltage to ensure your equipment receives a constant and stable voltage of 120V ( $\pm 10\%$ )\*. If the supply voltage becomes too extreme for the SVS to provide a safe output to your appliance, the SVS will disconnect the supply.

A built-in start-up delay ensures the voltage has returned to normal levels before reconnection to protect appliances from repeatedly switching on/off during fluctuations and sudden surges/spikes in voltage which can occur after a power cut. TimeSave™ prevents long start-up delays by reconnecting the supply within 10 seconds when the disconnection period is longer than the start-up delay.

The SVS08-11 has a 3-digit LED display for precise real-time input/output voltage readings as well as 3 operational status LEDs. Built with a rigid ABS enclosure that is compact and corrosion resistant, the Sollatek SVS is a plug-and-play device with no setup required.

### APPLICATIONS

The SVS08-11 is suitable for all electrical and electronic appliances, including: larger fridges and freezers as well as combinations of TV, satellites and computers.

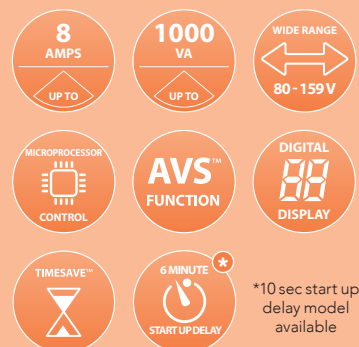
### FEATURES

- Microprocessor controlled stabiliser
- Solid state with no moving parts
- Very wide input voltage range (80 - 159 V)
- Output voltage stability ( $\pm 10\%$ )
- Includes surge and spike suppression and protection
- Incorporates over & under voltage disconnect (AVS™ function) when mains is extreme and outside working limits
- 6 minute startup delay as standard to allow neutralisation of compressor gases, critical in such applications (10 second model also available)
- Incorporates TIMESAVE™ Function (10 second start-up delay after long duration powercut)
- Compact modern design incorporating lightweight, high grade flame retardant ABS
- Small and lightweight unit
- British Design

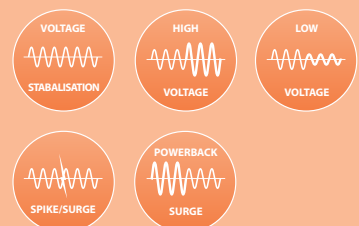


Actual unit may differ from shown

### FEATURES



### PROTECTION AGAINST



### PROTECTION FOR



## TECHNICAL SPECIFICATION

INPUT & OUTPUT			
Nominal Voltage		120 V	
Stabilisation Range	Input Voltage	-33.3% to 32.5% (80 to 159 V)	
	Output Voltage	±10% (108 to 132 V)	
Operating Voltage	Over Voltage	Disconnect	159 V
		Reconnect	157 V
	Under Voltage	Disconnect	80 V
		Reconnect	85 V
Frequency Range		45 to 75 Hz	
Load Current		8 A	
GENERAL			
Derating Factor		10% to 15% per 10°C above 40°C	
Synchronisation		Output synchronised to input	
Permissible Overload		Overload 1000% for 100ms, 720% for 10 s, 150% for 120 s	
Status Indicator		x3 LEDs for input/output voltage status x3 LEDs for operational status	
Technology		Transformer tap switching using relays	
Efficiency		>97% (at 100% linear load)	
Control		Microcontroller based control system provides self checks, system integrity, monitoring and diagnostic indicators	
Control Protection		Internal surge arrestors and filters in control circuit protect against disturbances. Filtering algorithms and fault tolerant software protect against disturbances and false measurements	
Ambient Temp Range		0°C to +55°C	
Relative Humidity		< 95%, non condensing	
Acoustic Noise		< 45 dB (A)	
Expected Service Life		> 10 years	
Environmental Protection		IP20	
Standards		Manufactured to comply with: CE, EN 61558-1, EN 61558-2-13, EN 55014-1, EN 61000-3-2, EN 61000-3-3, EN 61000-4-2, EN 61000-4-3, EN 61000-4-4, EN 61000-4-5, EN 61000-4-6, EN 61000-4-11.	
Correction Speed		764 Volts per second	
Response		Within 0.1 second	
Wait Time on Start Up		10 sec or 6 minutes (depending on model)	
Power Factors		Unaffected by load power factor	
AVS™ Function		Automatic voltage switcher: output is switched off to protect device against over and under voltage and automatically reconnects when safe	
TimeSave™ Function		Reduced startup delay if unit was off for more than the standard delay period to 10 seconds	
MECHANICAL			
Connection		Plug and Socket	
Unit Dimension WxHxD		161 x 131 x 277 mm	
Unit Weight		4.3 kg	
Packing	Carton	Pallet	
Dimensions WxHxD	290 x 180 x 550 mm	1000 x 1100 x 1200 mm	
Quantity	1 carton (2 units)	25 cartons (50 units)	

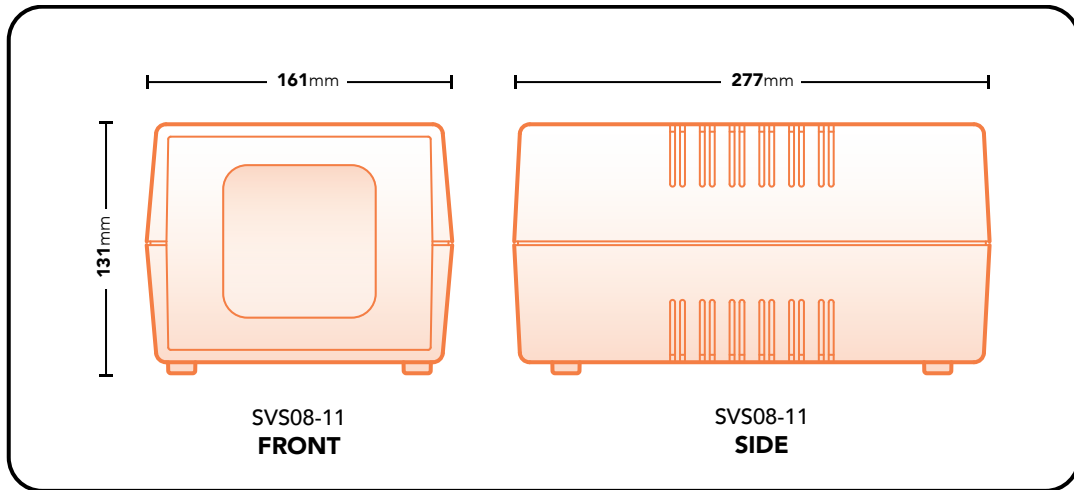
## VOLTAGE TABLE

INPUT	OUTPUT
0-79	OFF
80	108
85	115
90	122
95	128
100	112
105	118
110	110
115	115
120	120
125	125
130	108
135	112
140	116
145	120
150	125
155	129
159	132
160	OFF

All weights and dimensions are approximate. Specifications are subject to change without prior notice. ©Sollatek (UK) Limited 2023. All Rights Reserved.

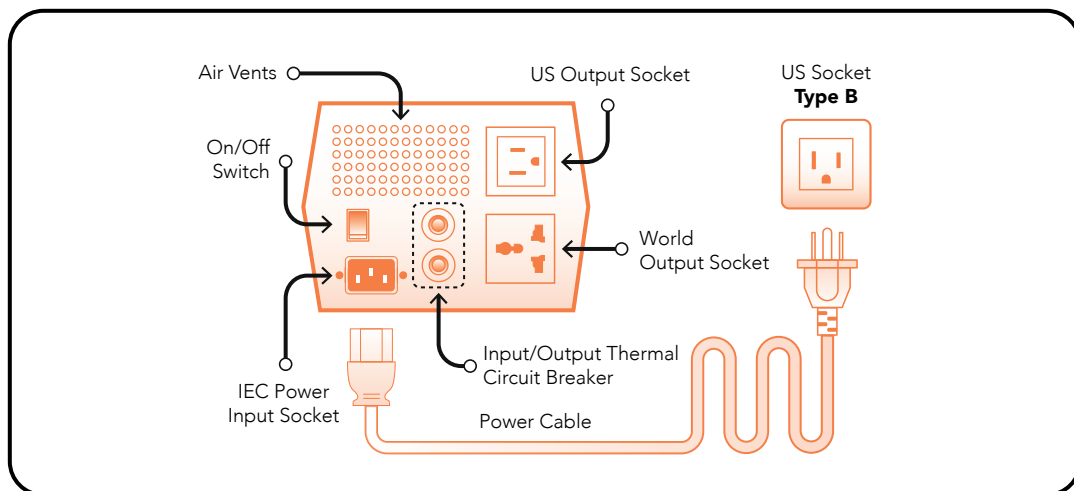


## DIMENSIONAL DIAGRAM



**i** The diagrams presented are for illustrative purposes only. Detailed drawings are available upon request.

## REAR PANEL DIAGRAM



**+** Supplied with US Socket (Type B).

PRODUCT CODE	DESCRIPTION
98208511	SVS08-11 115V US Socket PQS E007/VS01.5
98208511-10	SVS08-11 115V US Skt PQS E007/VS01.5 10s

**SOLLATEK (UK) LIMITED**  
 Sollatek House, Waterside  
 Drive, Langley, Slough SL3 6EZ,  
 United Kingdom  
 Tel: +44 (1753) 214 500  
 Email: sales@sollatek.com  
 Web: www.sollatek.com

ISO9001: 2015 accredited company  
 All weights and dimensions are  
 approximate. Specifications are subject  
 to change without prior notice. ©Sollatek  
 (UK) Limited 2023. All Rights Reserved.  
 SOLLATEK and the SOLLATEK device are  
 the trade marks of the Sollatek group of  
 companies.

