



TVGUARD

Over voltage protection

Description

The TVGuard is a plug-in adaptor that prevents damage to equipment from high voltage levels of any duration. It works by disconnecting power when voltage levels exceed set parameters. Reconnection takes place when power returns inside parameters for a pre-set period. Fully automatic in operation.

The TVGuard provides power-back surge protection as standard by its in-built start-up delay and voltage monitoring. Additionally, the TVGuard includes surge and spike protection.

Function

Protects against high voltage and power-back surges. These conditions are harmful to electrical and electronic equipment. By disconnecting the power when it is bad, the TVGuard safeguards against short term and long term damage to ensure higher efficiency from your appliances.

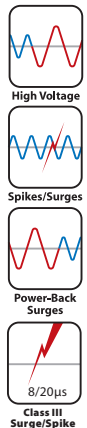
Re-connects after a 30 second delay, thereby ensuring stability of the power supply.

Applications

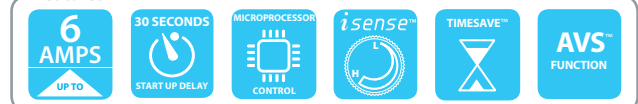
Ideal for protection of all sensitive electronic and electrical equipment such as TV, video, Hi-Fi, fax, PABX etc.

Tip

To avoid frequent disconnection in areas of extreme fluctuation, add a Sollatek SVS stabiliser before the TVGuard.



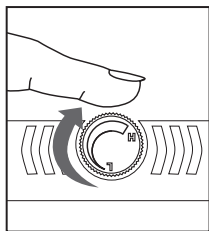
Features



Protection for



iSense™ function



The iSense™ technology allows you to control how sensitive the TVGuard is to voltage problems. Using the iSense™ dial you can set the desired level of protection and startup delay.

Dial settings

(H) High setting ensures greater protection by narrowing the acceptable voltage limits. This is ideal for users with less erratic mains supply that require better protection, typically in main cities where the power supply is fairly stable.

(L) Low setting ensures more working time as it will tolerate wider acceptable voltage limits. This is ideal for users with more erratic mains supply that constantly switches off, providing wider window of acceptable voltage limits.

TIMESAVE™ function

TIMESAVE™ adds the following protective function:

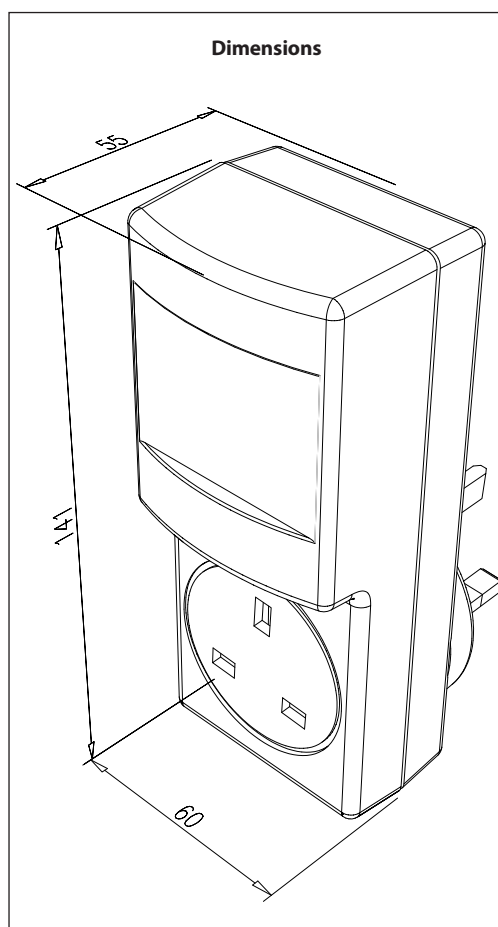
The TVGuard has a built-in microprocessor which adds the advanced feature TimeSave™. TimeSave™ means that when the mains return to normal, the unit checks the duration of the OFF time. If the unit has been off for more than the standard wait time, then it will reconnect the mains within 10 seconds.

This means the TVGuard will give you more vital working time than any other switcher.

Specifications

Model	TVGuard	
Current rating	6A	
Mains surge/spike response time	<10ns	
Mains max spike/surge discharge	6.5kA >3kA (8/20µs surges)	
Spike protection	160J	
Mains disconnect response time	Over-voltage	>20ms
Wait time	30 sec	
TimeSave™ delay	10 sec	
iSense HVD high sensitivity	255VAC	
iSense HVD low sensitivity	265VAC	
IP rating	IP20	
Dimensions (mm)	Unpacked	140 x 60 x 90
	Packed	250 x 130 x 95
Packing details	Carton qty	24
	Pallet qty	1008
Weight (gm)	186	
Data line protection	No	
Socket availability	UK/ European/ Indian	

Dimensions



ITEM		PRODUCT CODE
TVGUARD- UK SOCKET	230V	92655000
TVGUARD- EUROPEAN SOCKET	230V	92611010
TVGUARD- 6A INDIAN SOCKET	230V	92655300

For more information on the Sollatek's Voltage Protection Range refer to the **Voltage protection catalogue** or visit www.sollatek.com

Sollatek™

Sollatek (UK) Ltd.

Unit 10, Poyle 14, Newlands Drive, Poyle, Slough, SL3 0DX, UK
Tel: +44 (0)1753 688300 Fax: +44 (0)1753 685306

Technical support: support@sollatek.com

Sales: sales@sollatek.com www.sollatek.com